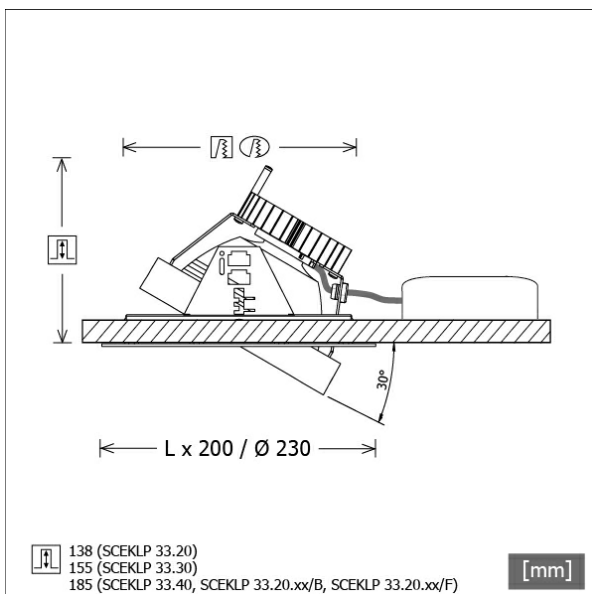


# SCEKLP 33.3030.35



Colours	Article no.	EAN
black	619408	4043544405876
silver	619427	4043544405883
white	619428	4043544405890



## Description

- flexible recessed spotlight system consisting of recessed frames, light-heads and ballasts (recessed frames to be ordered separately)
- light-head pivots through 30° on gimbals
- outstanding ease of maintenance
- no UV and thermal emissions
- thermal management with passive cooling (heat sink made from aluminium)
- gimbals made from die-cast zinc
- specular aluminium reflector with precise symmetrical beam characteristic for high luminous efficiency and glare-free lighting
- clear safety glass
- tool-free installation into mounting frame via flexible retaining springs
- connection to ballast via luminaire cable with Mini-Clamp connector
- ballast (LED converter) included (external placement)

## Standard options



## Special options



## Lighting data / Norms

<b>Lamps</b>	LED Spot / CRI 80 / 3000 K
<b>EPREL light sources</b>	851239
<b>Lifetime</b>	L90 B50 50.000 h L80 B50 100.000 h L80 B20 50.000 h
<b>System power</b>	32.8 W
<b>Luminaire luminous flux</b>	3330 lm
<b>System efficiency</b>	101.52 lm/W
<b>Module efficiency</b>	158.91 lm/W
<b>UGR class</b>	≤19
<b>Beam range</b>	Flood
<b>Beam angle</b>	30°
<b>Supply voltage</b>	220 - 240 V / 50 - 60 Hz
<b>Protection class</b>	III
<b>Type of protection</b>	IP20

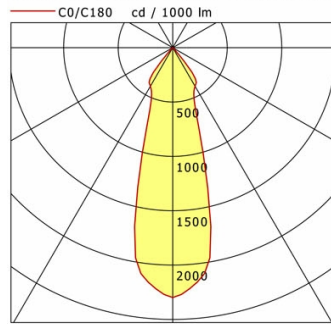
## Dimensions / Weights

<b>Height</b>	157 mm
<b>Recessed depth</b>	155 mm
<b>Diameter of light head</b>	155 mm
<b>Net weight</b>	1.16 kg
<b>Gross weight</b>	1.25 kg

# SCEKLP 33.3030.35

## SCEKLP 33.3030.35

Scene 33 System | Light-Head (1xLED 33W 830/3000K 3330lm 35°)



	C0	C90	C180	C270
0°	2299	2299	2299	2299
15°	1163	1163	1163	1163
30°	410	410	410	410
45°	22	22	22	22
60°	5	5	5	5
75°	2	2	2	2
90°	0	0	0	0
cd / 1000 lm				

Offset [m]	Cone width [m]	Illuminance [lx]
3.0	1.62	850.5
6.0	3.24	212.6
9.0	4.86	94.5
12.0	6.48	53.2
15.0	8.10	34.0

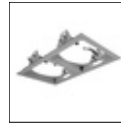
<b>η</b>	LED
Efficiency	101 lm/W
Direct/Indirect	↓ 100% / ↑ 0%
System Power	33 W
<b>UGR</b>	X=4H, Y=8H
Reflection factors	70/50/20
UGR C0/C180	19.1
UGR C90/C270	19.1
CIE Flux Codes	97 99 100 100 100
Ra/CRI	>80

LTS

### Accessories



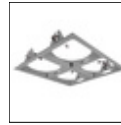
**SCER 33.100**  
mounting frame 1-lamp



**SCER 33.200**  
mounting frame 2-lamp



**SCER 33.300**  
mounting frame 3-lamp



**SCER 33.400**  
mounting frame 4-lamp