

# CSALP 60.1027.25



Colours	Article no.	EAN
silver	634705	4043544368720
white	634706	4043544368737
black	637519	4043544410986

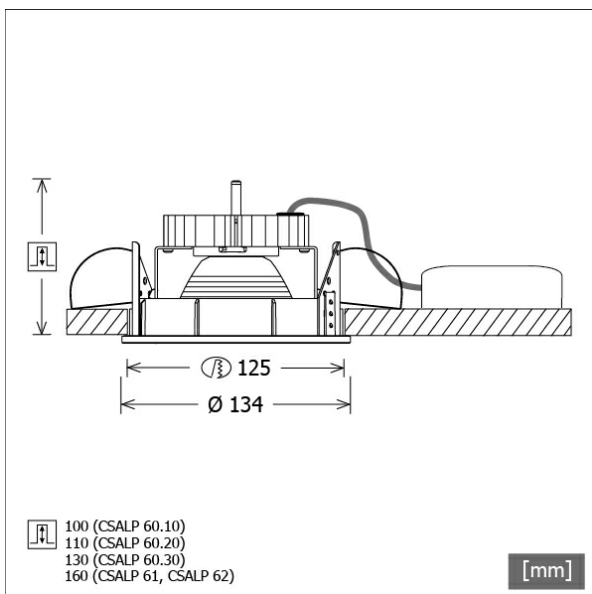
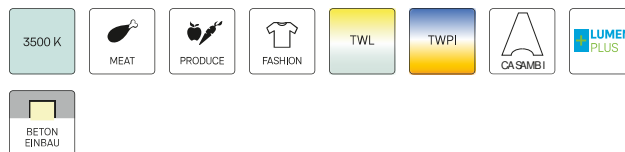
## Description

- recessed spotlight with wide range of applications
- luminaire rotates through 350° and pivots through 40°
- outstanding ease of maintenance
- no UV and thermal emissions
- thermal management with passive cooling (heat sink made from aluminium)
- specular aluminium reflector with precise symmetrical beam characteristic for high luminous efficiency and glare-free lighting
- front rings and recessed ring made from die-cast zinc
- tool-free ceiling mounting via quick-action clamping springs (automatic adjustment of the ceiling thickness)
- luminaire and ballast permanently connected via cable (length: 500 mm), ballast ready for mains connection
- ballast (LED converter) included (external placement)

## Standard options



## Special options

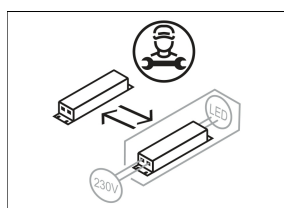
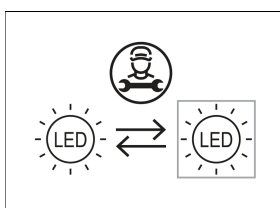


## Lighting data / Norms

<b>Lamps</b>	LED Spot / CRI 80 / 2700 K
<b>EPREL light sources</b>	848120
	L90 B50 50.000 h
<b>Lifetime</b>	L80 B50 100.000 h
	L80 B20 50.000 h
<b>System power</b>	14.0 W
<b>Luminaire luminous flux</b>	1360 lm
<b>System efficiency</b>	97.14 lm/W
<b>Module efficiency</b>	127.18 lm/W
<b>UGR class</b>	≤19
<b>Beam angle</b>	25°
<b>Supply voltage</b>	220 - 240 V / 50 - 60 Hz
<b>Protection class</b>	II
<b>Type of protection</b>	IP20

## Dimensions / Weights

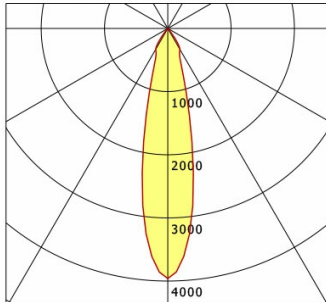
<b>Outer diameter</b>	134 mm
<b>Height</b>	90 mm
<b>Cut-out (Ø)</b>	125 mm
<b>Ceiling thickness</b>	1.0 - 25.0 mm
<b>Recessed depth</b>	100 mm
<b>Net weight</b>	0.94 kg
<b>Gross weight</b>	0.99 kg



# CSALP 60.1027.25

CSA 60 (1xLED 14W 827/2700K 1360lm 25 °)

C0/C180 cd / 1000 lm



	C0	C90	C180	C270
0°	3960	3960	3960	3960
15°	1219	1219	1219	1219
30°	384	384	384	384
45°	5	5	5	5
60°	3	3	3	3
75°	2	2	2	2
90°	0	0	0	0
cd / 1000 lm				

Offset [m] Cone width [m] Illuminance [lx]

Offset [m]	Cone width [m]	Illuminance [lx]
3.0	1.21	598.3
6.0	2.43	149.6
9.0	3.64	66.5
12.0	4.86	37.4
15.0	6.07	23.9

<b>η</b>	LED
Efficiency	97 lm/W
Direct/Indirect	↓ 100% / ↑ 0%
System Power	14 W
<b>UGR</b>	X=4H, Y=8H
Reflection factors	70/50/20
UGR C0/C180	16.9
UGR C90/C270	16.9
CIE Flux Codes	99 99 100 100 100
Ra/CRI	>80

LTS

## Accessories



**ZDAR 125.145-205**  
compensation ring for ceiling cut-outs from 145 to 205 mm