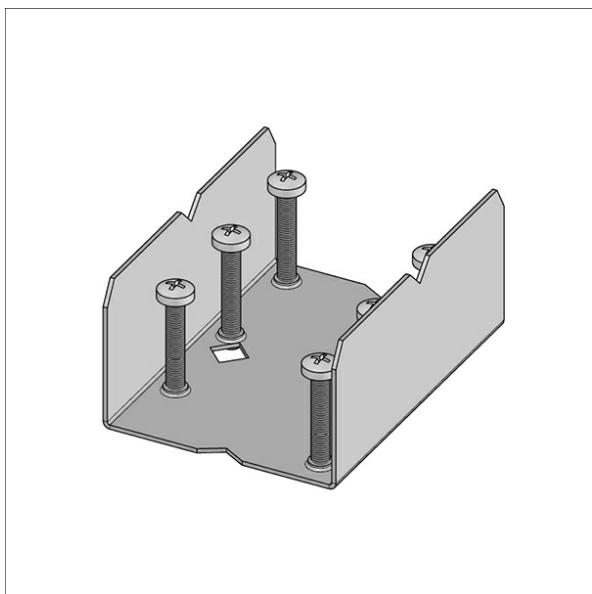




# STRL-Z 115



## Description

- linear connector (1 piece) for mechanical connection of StraitLine profiles for ceiling mounting
- material: sheet steel
- screw fixing in profile

## Standard options



## Dimensions / Weights

Length	76 mm
Width	55 mm
Height	35 mm
Net weight	0.08 kg
Gross weight	0.10 kg

Colours	Article no.	EAN
	659063	4043544782618

