

# CSA-R 402.930.FL



## Description

- recessed downlight with wide range of applications
- outstanding ease of maintenance
- no UV and thermal emissions
- innovative thermal management with passive cooling (heat sink made from die-cast aluminium)
- specular aluminium reflector with precise symmetrical beam characteristic for high luminous efficiency and glare-free lighting
- front ring made from die-cast aluminium with filigree black polycarbonate inner ring for additional glare control
- tool-free ceiling mounting via quick-action clamping springs (automatic adjustment of the ceiling thickness)
- luminaire and ballast permanently connected via cable (length: 500 mm), ballast ready for mains connection
- ballast (LED converter) included (external placement)

## Notes

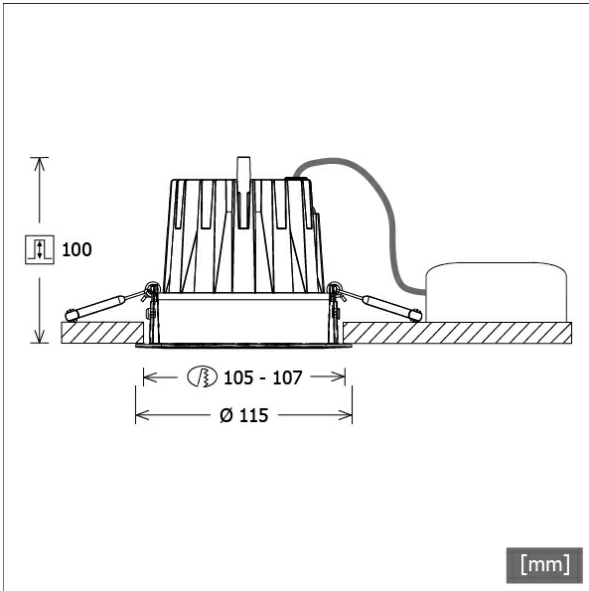
Also available with lower system power / lumen output on request.

Colours	Article no.	EAN
silver	668931	4043544805997
black	668932	4043544806000
white	668933	4043544806017

## Standard options



## Special options

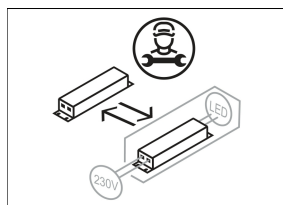


## Lighting data / Norms

Lamps	LED Spot / CRI 90 / 3000 K
Lifetime	L90 B50 50.000 h L80 B50 100.000 h L80 B20 50.000 h
System power	19.7 W
Luminaire luminous flux	2590 lm
System efficiency	131.47 lm/W
Module efficiency	137.00 lm/W
UGR class	≤19
Beam range	Flood
Beam angle	36°
Supply voltage	220 - 240 V / 50 - 60 Hz
Protection class	II
Type of protection	IP20

## Dimensions / Weights

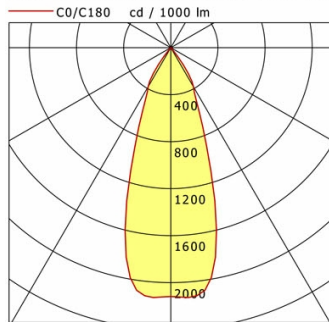
Outer diameter	115 mm
Height	102 mm
Cut-out (Ø)	105 - 107 mm
Ceiling thickness	3.0 - 26.0 mm
Recessed depth	100 mm
Net weight	0.42 kg
Gross weight	0.48 kg



# CSA-R 402.930.FL

## CSA-R 402.930.FL

CSA 40 Generation 2 (1xLED 20W 930/3000K 2590lm 36°)



	C0	C90	C180	C270
0°	2119	2119	2119	2119
15°	1483	1483	1483	1483
30°	385	385	385	385
45°	11	11	11	11
60°	2	2	2	2
75°	0	0	0	0
90°	0	0	0	0
cd / 1000 lm				

Offset [m]	Cone width [m]	Illuminance [lx]
C0-C180 Plane		
3.0	1.99	609.7
6.0	3.98	152.4
9.0	5.97	67.7
12.0	7.97	38.1
15.0	9.96	24.4

<b>η</b>	LED
Efficiency	130 lm/W
Direct/Indirect	↓ 100% / ↑ 0%
System Power	20 W
<b>UGR</b>	X=4H, Y=8H
Reflection factors	70/50/20
UGR C0/C180	18.7
UGR C90/C270	18.7
CIE Flux Codes	99 100 100 100 100
Ra/CRI	>90

LTS