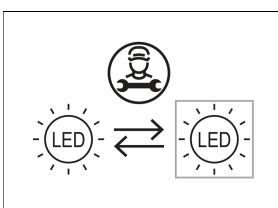
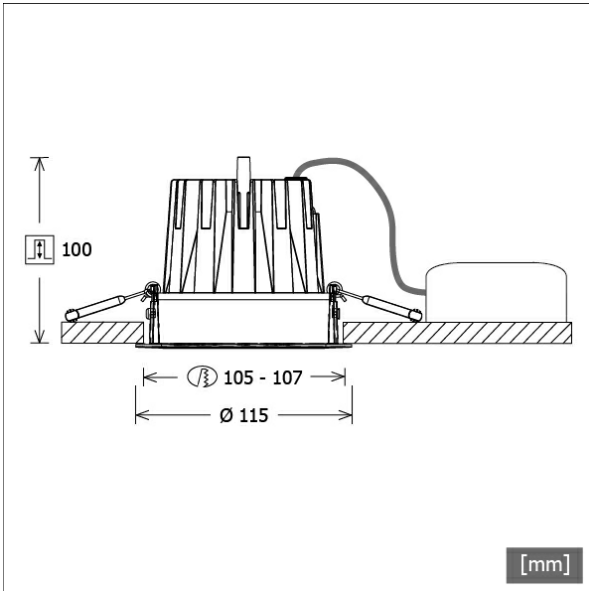


CSA-R 403.930.OV46



Colours	Article no.	EAN
silver	670134	4043544818027
black	670135	4043544818034
white	670136	4043544818041



Description

- recessed downlight with wide range of applications
- outstanding ease of maintenance
- no UV and thermal emissions
- innovative thermal management with passive cooling (heat sink made from die-cast aluminium)
- specular aluminium reflector with precise symmetrical beam characteristic for high luminous efficiency and glare-free lighting
- front ring made from die-cast aluminium with filigree black polycarbonate inner ring for additional glare control
- tool-free ceiling mounting via quick-action clamping springs (automatic adjustment of the ceiling thickness)
- luminaire and ballast permanently connected via cable (length: 500 mm), ballast ready for mains connection
- ballast (LED converter) included (external placement)

Standard options



Special options



Lighting data / Norms

Lamps	LED Spot / CRI 90 / 3000 K
Lifetime	L90 B50 50.000 h L80 B50 100.000 h L80 B20 50.000 h
System power	27.1 W
Luminaire luminous flux	3450 lm
System efficiency	127.30 lm/W
Module efficiency	137.00 lm/W
UGR class	≤25
Beam range	Oval
Beam angle	Oval 40/60
Supply voltage	220 - 240 V / 50 - 60 Hz
Protection class	II
Type of protection	IP20

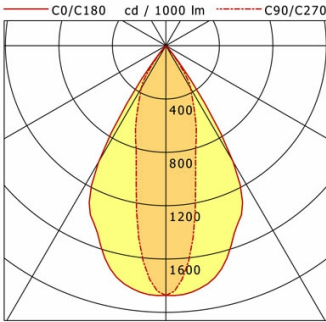
Dimensions / Weights

Outer diameter	115 mm
Height	102 mm
Cut-out (Ø)	105 - 107 mm
Ceiling thickness	3.0 - 26.0 mm
Recessed depth	100 mm
Net weight	0.42 kg
Gross weight	0.48 kg

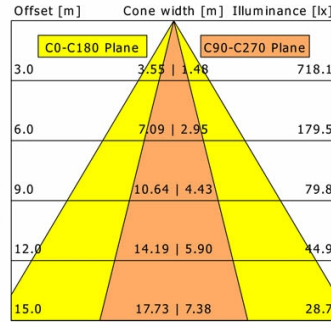
CSA-R 403.930.OV46

CSA-R 403.930.OV46

CSA 40 Generation 2 (1xLED 27W 930/3000K 3450lm)



	C0	C90	C180	C270
0°	1873	1873	1873	1873
15°	1693	858	1693	858
30°	1006	372	1006	372
45°	20	10	20	10
60°	2	1	2	1
75°	0	0	0	0
90°	0	0	0	0
cd / 1000 lm				



η	LED
Efficiency	128 lm/W
Direct/Indirect	↓ 100% / ↑ 0%
System Power	27 W
UGR	X=4H, Y=8H
Reflection factors	70/50/20
UGR C0/C180	22.8
UGR C90/C270	19.3
CIE Flux Codes	99 100 100 100 100
Ra/CRI	>90

LTS