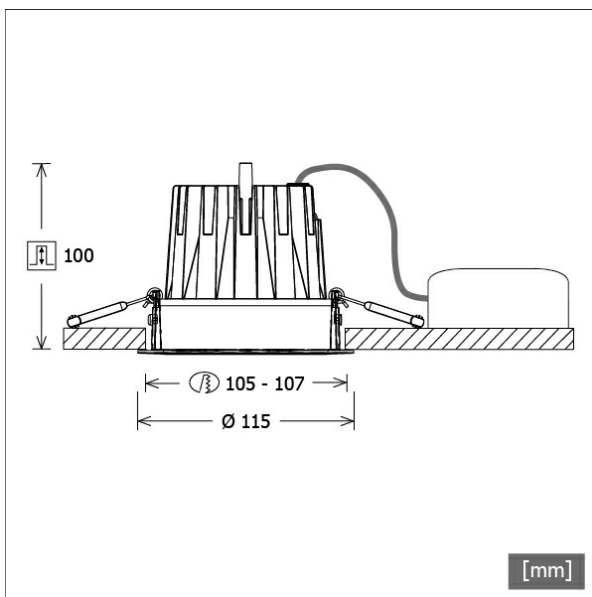


CSA-R 403.930.FL



Colours	Article no.	EAN
silver	668943	4043544806116
black	668944	4043544806123
white	668945	4043544806130



Description

- recessed downlight with wide range of applications
- outstanding ease of maintenance
- no UV and thermal emissions
- innovative thermal management with passive cooling (heat sink made from die-cast aluminium)
- specular aluminium reflector with precise symmetrical beam characteristic for high luminous efficiency and glare-free lighting
- front ring made from die-cast aluminium with filigree black polycarbonate inner ring for additional glare control
- tool-free ceiling mounting via quick-action clamping springs (automatic adjustment of the ceiling thickness)
- luminaire and ballast permanently connected via cable (length: 500 mm), ballast ready for mains connection
- ballast (LED converter) included (external placement)

Standard options



Special options



Lighting data / Norms

Lamps	LED Spot / CRI 90 / 3000 K
Lifetime	L90 B50 50.000 h L80 B50 100.000 h L80 B20 50.000 h
System power	27.1 W
Luminaire luminous flux	3400 lm
System efficiency	125.46 lm/W
Module efficiency	137.00 lm/W
UGR class	≤22
Beam range	Flood
Beam angle	36°
Supply voltage	220 - 240 V / 50 - 60 Hz
Protection class	II
Type of protection	IP20

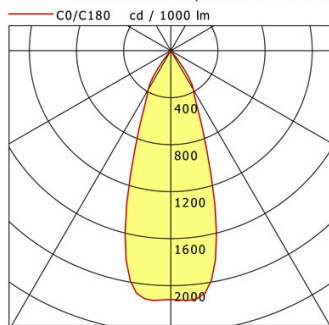
Dimensions / Weights

Outer diameter	115 mm
Height	102 mm
Cut-out (Ø)	105 - 107 mm
Ceiling thickness	3.0 - 26.0 mm
Recessed depth	100 mm
Net weight	0.42 kg
Gross weight	0.48 kg

CSA-R 403.930.FL

CSA-R 403.930.FL

CSA 40 Generation 2 (1xLED 27W 930/3000K 3400lm 36°)



	C0	C90	C180	C270
0°	2119	2119	2119	2119
15°	1483	1483	1483	1483
30°	385	385	385	385
45°	11	11	11	11
60°	2	2	2	2
75°	0	0	0	0
90°	0	0	0	0
cd / 1000 lm				

Offset [m]	Cone width [m]	Illuminance [lx]
C0-C180 Plane		
3.0	1.99	800.3
6.0	3.98	200.1
9.0	5.97	88.9
12.0	7.97	50.0
15.0	9.96	32.0

η	LED
Efficiency	126 lm/W
Direct/Indirect	↓ 100% / ↑ 0%
System Power	27 W
UGR	X=4H, Y=8H
Reflection factors	70/50/20
UGR C0/C180	19.6
UGR C90/C270	19.6
CIE Flux Codes	99 100 100 100 100
Ra/CRI	>90

LTS