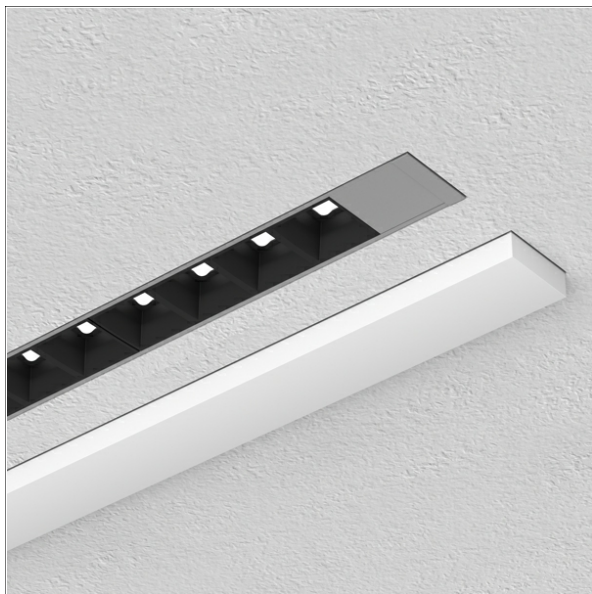


LK-P 045.3 OAG/...



Description

- light trunking system (made-to-measure) for recessed mounting with gap into suitable for opal diffuser protruding and Choc light-inserts (LK-CH...)
- suitable for opal diffuser protruding and Choc light-inserts (LK-CH...)
- high-quality extruded aluminium profile for fixing into trimless recessed frame
- possible mitre cuts for surfaces, wall/ceiling inside, edge outside/inside (cutting cost on request)
- trimless recessed frame, light-inserts and (necessary) accessories to be ordered separately
- without acrylic glass diffuser
- quick-mounting in trimless mounting frame via turning bolts

Notes

For luminaires with only "1 light-insert" add "+5 mm" for end covers. Required space on the end faces is 10 mm each. The linear thermal expansion of the aluminium profile is about 0.3 mm per meter at dT = 10 Kelvin. IP40 only applies in combination with mounted acrylic glass diffuser mounted acrylic glass profile. Pretreat the plaster zone on the luminaire and ceiling with suitable adhesion primer.

Colours	Article no.	EAN
silver anodised	669246	4043544809254
black	669247	4043544809261
white	669248	4043544809278

Lighting data / Norms

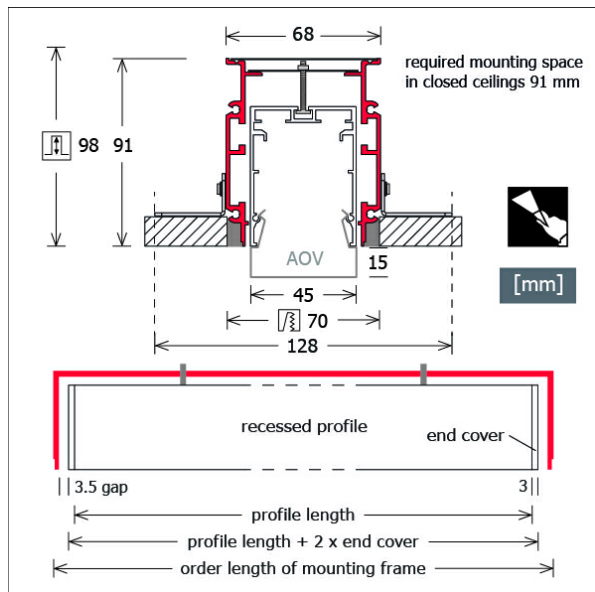
Type of protection IP20

Dimensions / Weights

Width 45 mm
 Height 60 mm
 Net weight 1.12 kg
 Gross weight 1.22 kg

Special dimensions

order length of mounting frame = length of empty profile + (2 x 3 mm thickness of end covers) + (2 x 3.5 mm gap) = length of empty profile + 13 mm; ceiling cut-out = (length of mounting frame + 6 mm) x 70 mm



LK-P 045.3 OAG/...

Accessories



LK-Z045 AOV-001/...
opal acrylic glass protruding
(length made-to-measure)



LK-Z045 AOV-E-001/1500
end cover opal acrylic glass protruding
(length: 1500 mm)



LK-Z045 AOV-K-001
concealing unit for opal acrylic glass protruding



LK-Z045 BA/...
blind cover
(length made-to-measure)



LK-Z045 SENSOR/OR
Organic Response sensor (DALI PS3) for Lichtkanal
045



LK-Z045.003.00 TRI/...
mounting frame trimless for plasterboard
(length made-to-measure)



LK-Z045.003.90 TRI
mounting frame trimless 90° corner for plasterboard



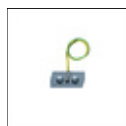
LK-Z045.1
end covers
(2 pieces)



LK-Z045.102.00
connector kit linear



LK-Z045.102.90
connector kit for corners



LK-Z045.110
earthing kit for sectional form parts



LK-Z045.111
earthing set

LK-P 045.3 OAG/...

Light inserts



Name	Description
LK-L 045.10830.0705.1/DALI	3000 K, 705 mm, 10.2 W , 1440 lm
LK-L 045.10840.0705.1/DALI	4000 K, 705 mm, 10.2 W , 1530 lm
LK-L 045.10830.0845.1/DALI	3000 K, 845 mm, 12.3 W , 1680 lm
LK-L 045.10840.0845.1/DALI	4000 K, 845 mm, 12.3 W , 1780 lm
LK-L 045.10830.0985.1/DALI	3000 K, 985 mm, 14.3 W , 2020 lm
LK-L 045.10840.0985.1/DALI	4000 K, 985 mm, 14.3 W , 2140 lm
LK-L 045.10830.1125.1/DALI	3000 K, 1125 mm, 16.4 W , 2180 lm
LK-L 045.10840.1125.1/DALI	4000 K, 1125 mm, 16.4 W , 2310 lm
LK-L 045.10830.1405.1/DALI	3000 K, 1405 mm, 20.5 W , 2720 lm
LK-L 045.10840.1405.1/DALI	4000 K, 1405 mm, 20.5 W , 2880 lm
LK-L 045.10830.1685.1/DALI	3000 K, 1685 mm, 24.5 W , 3260 lm
LK-L 045.10840.1685.1/DALI	4000 K, 1685 mm, 24.5 W , 3460 lm

Name	Description
LK-L 045.11830.0705.1/DALI	3000 K, 705 mm, 15.8 W , 2220 lm
LK-L 045.11840.0705.1/DALI	4000 K, 705 mm, 15.8 W , 2340 lm
LK-L 045.11830.0845.1/DALI	3000 K, 845 mm, 18.9 W , 2540 lm
LK-L 045.11840.0845.1/DALI	4000 K, 845 mm, 18.9 W , 2690 lm
LK-L 045.11830.0985.1/DALI	3000 K, 985 mm, 22.1 W , 3100 lm
LK-L 045.11840.0985.1/DALI	4000 K, 985 mm, 22.1 W , 3280 lm
LK-L 045.11830.1125.1/DALI	3000 K, 1125 mm, 25.2 W , 3340 lm
LK-L 045.11840.1125.1/DALI	4000 K, 1125 mm, 25.2 W , 3540 lm
LK-L 045.11830.1405.1/DALI	3000 K, 1405 mm, 31.5 W , 4180 lm
LK-L 045.11840.1405.1/DALI	4000 K, 1405 mm, 31.5 W , 4430 lm
LK-L 045.11830.1685.1/DALI	3000 K, 1685 mm, 37.8 W , 5020 lm
LK-L 045.11840.1685.1/DALI	4000 K, 1685 mm, 37.8 W , 5320 lm