

LK-CH 045.081.830.50.2/DALI



Description

- light-insert for Lichtkanal 045 profiles with eight integrated lenses for glare-free workplace lighting (UGR <= 19)
- no UV and thermal emissions
- 5-pole through-wiring kit included
- integrated high-tech lenses made from acrylic glass with black louvre optics for high luminous efficiency and glare-free lighting
- support plate made from aluminium
- tool-free snap-in fastening into profile
- 5-pole terminal block, pre-fabricated for 5-pole through-wiring
- ballast (LED converter DALI, dimmable) integrated

Notes

Not suitable in combination with protruding acrylic glass diffusers LK-Z 045 AOV.... The linear thermal expansion of the aluminium profile is about 0.3 mm per meter at dT = 10 Kelvin.

Standard options



Colours	Article no.	EAN
black	665609	4043544749055

Special options

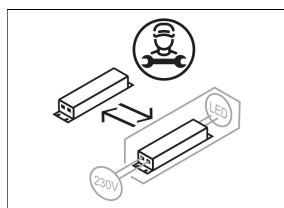
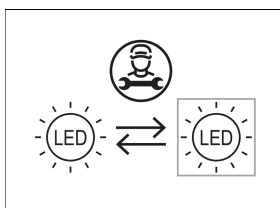
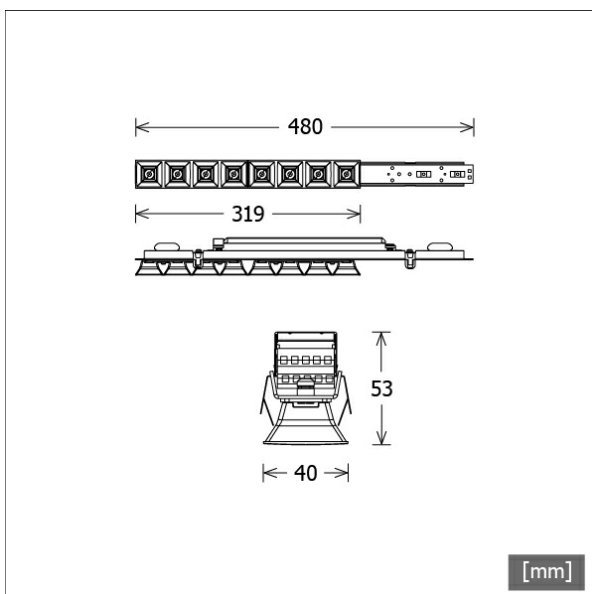


Lighting data / Norms

Lamps	LED linear / CRI 80 / 3000 K
Lifetime	L90 B50 50.000 h L80 B50 100.000 h L80 B20 50.000 h
System power	15.1 W
Luminaire luminous flux	1470 lm
System efficiency	97.35 lm/W
Module efficiency	191.00 lm/W
UGR class	≤19
Beam angle	50°
Supply voltage	220 - 240 V / 50 - 60 Hz
Protection class	I

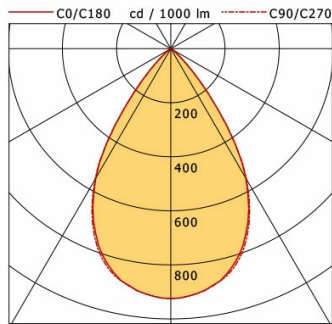
Dimensions / Weights

Length	480 mm
Width	40 mm
Height	53 mm
Net weight	0.46 kg
Gross weight	0.70 kg

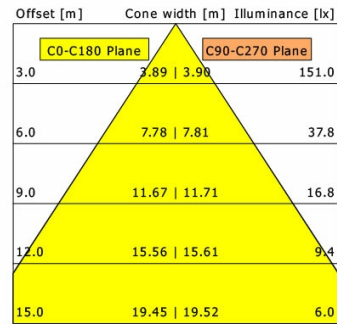


LK-CH 045.081.830.50.2/DALI

Lichtkanal 045 | Light-Insert | Choc (1xLED 15W 830/3000K 1470lm)



	C0	C90	C180	C270
0°	925	925	925	925
15°	846	854	846	854
30°	554	559	554	559
45°	92	92	92	92
60°	2	2	2	2
75°	0	0	0	0
90°	0	0	0	0
cd / 1000 lm				



η	LED
Efficiency	98 lm/W
Direct/Indirect	↓ 100% / ↑ 0%
System Power	15 W
UGR	X=4H, Y=8H
Reflection factors	70/50/20
UGR C0/C180	18.9
UGR C90/C270	18.8
CIE Flux Codes	90 100 100 100 100
Ra/CRI	>80

LTS