

# CSALP 50.3030.50/DALI



## Description

- recessed spotlight with conical light-head
- suitable for lighting of vertical surfaces
- luminaire rotates through 350° and light-head pivots out through 35°
- outstanding ease of maintenance
- no UV and thermal emissions
- thermal management with passive cooling (heat sink made from aluminium)
- specular aluminium reflector with precise symmetrical beam characteristic for high luminous efficiency and glare-free lighting
- front/recessed ring and light-head made from die-cast zinc
- clear safety glass
- tool-free ceiling mounting via quick-action clamping springs (automatic adjustment of the ceiling thickness)
- luminaire and ballast permanently connected via cable (length: 500 mm), ballast ready for mains connection
- ballast (LED converter DALI, dimmable) included (external placement)

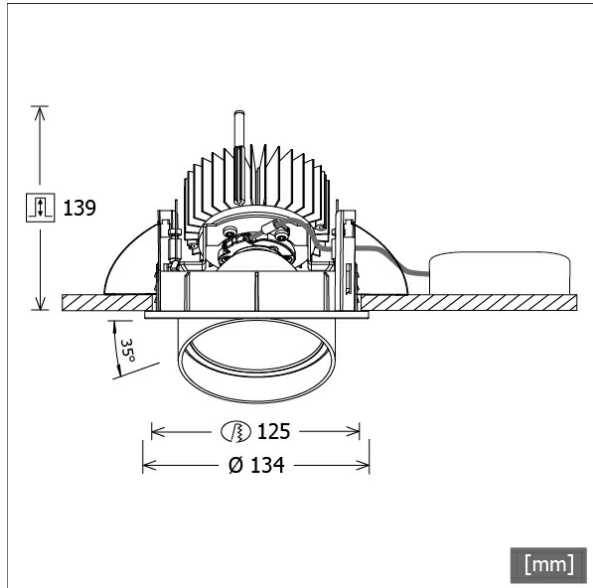
## Standard options



## Special options



| Colours | Article no. | EAN           |
|---------|-------------|---------------|
| black   | 643570      | 4043544497765 |
| silver  | 643571      | 4043544497772 |
| white   | 643572      | 4043544497789 |

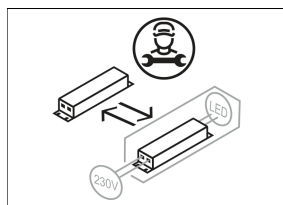


## Lighting data / Norms

|                                |   |
|--------------------------------|---|
| <b>Lamps</b>                   | LED Spot / CRI 80 / 3000 K                                |
| <b>EPREL light sources</b>     | 851239  |
| <b>Lifetime</b>                | L90 B50 50.000 h<br>L80 B50 100.000 h<br>L80 B20 50.000 h |
| <b>System power</b>            | 36.0 W  |
| <b>Luminaire luminous flux</b> | 3490 lm   |
| <b>System efficiency</b>       | 96.94 lm/W  |
| <b>Module efficiency</b>       | 158.91 lm/W   |
| <b>UGR class</b>               | ≤22   |
| <b>Beam angle</b>              | 50°   |
| <b>Supply voltage</b>          | 220 - 240 V / 50 - 60 Hz                                  |
| <b>Protection class</b>        | II  |
| <b>Type of protection</b>      | IP20  |

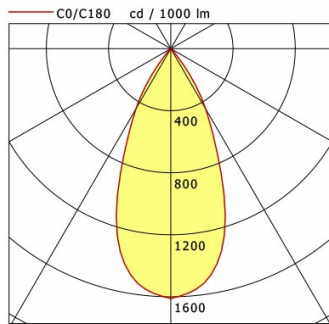
## Dimensions / Weights

|                          |               |
|--------------------------|---------------|
| <b>Outer diameter</b>    | 134 mm        |
| <b>Height</b>            | 144 mm        |
| <b>Cut-out (Ø)</b>       | 125 mm        |
| <b>Ceiling thickness</b> | 1.0 - 25.0 mm |
| <b>Recessed depth</b>    | 139 mm        |
| <b>Net weight</b>        | 1.32 kg       |
| <b>Gross weight</b>      | 1.41 kg       |



# CSALP 50.3030.50/DALI

CSA 50 (1xLED 36W 830/3000K 3490lm 50 °)



|              | C0   | C90  | C180 | C270 |
|--------------|------|------|------|------|
| 0°           | 1611 | 1611 | 1611 | 1611 |
| 15°          | 1300 | 1300 | 1300 | 1300 |
| 30°          | 448  | 448  | 448  | 448  |
| 45°          | 18   | 18   | 18   | 18   |
| 60°          | 5    | 5    | 5    | 5    |
| 75°          | 5    | 5    | 5    | 5    |
| 90°          | 0    | 0    | 0    | 0    |
| cd / 1000 lm |      |      |      |      |

| Offset [m] | Cone width [m] | Illuminance [lx] |
|------------|----------------|------------------|
| 3.0        | 2.53           | 624.8            |
| 6.0        | 5.06           | 156.2            |
| 9.0        | 7.59           | 69.4             |
| 12.0       | 10.12          | 39.0             |
| 15.0       | 12.66          | 25.0             |

|                    |                   |
|--------------------|-------------------|
| <b>η</b>           | LED               |
| Efficiency         | 97 lm/W           |
| Direct/Indirect    | ↓ 100% / ↑ 0%     |
| System Power       | 36 W              |
| <b>UGR</b>         | X=4H, Y=8H        |
| Reflection factors | 70/50/20          |
| UGR C0/C180        | 21.3              |
| UGR C90/C270       | 21.3              |
| CIE Flux Codes     | 97 99 100 100 100 |
| Ra/CRI             | >80               |

LTS

## Accessories



**ZB-OR DONGLE**  
Organic Response IR dongle kit



**ZB-OR GATEWAY**  
Organic Response IoT Gateway Cascade Series



**ZB-OR-R SENSOR**  
Organic Response sensor for recessed mounting



**ZDAR 125.145-205**  
compensation ring for ceiling cut-outs from 145 to 205 mm