

CSA-R 402.930.MF/DALI



Description

- recessed downlight with wide range of applications
- outstanding ease of maintenance
- no UV and thermal emissions
- innovative thermal management with passive cooling (heat sink made from die-cast aluminium)
- specular aluminium reflector with precise symmetrical beam characteristic for high luminous efficiency and glare-free lighting
- front ring made from die-cast aluminium with filigree black polycarbonate inner ring for additional glare control
- tool-free ceiling mounting via quick-action clamping springs (automatic adjustment of the ceiling thickness)
- luminaire and ballast permanently connected via cable (length: 500 mm), ballast ready for mains connection
- ballast (LED converter DALI, dimmable) included (external placement)

Notes

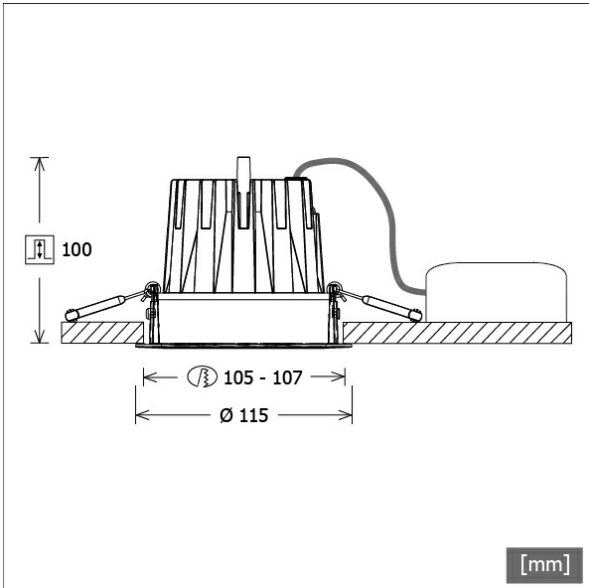
Also available with lower system power / lumen output on request.

Colours	Article no.	EAN
silver	668126	4043544797858
black	668127	4043544797865
white	668128	4043544797872

Standard options



Special options

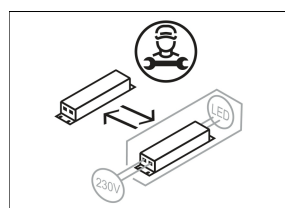


Lighting data / Norms

Lamps	LED Spot / CRI 90 / 3000 K
Lifetime	L90 B50 50.000 h L80 B50 100.000 h L80 B20 50.000 h
System power	19.7 W
Luminaire luminous flux	2640 lm
System efficiency	134.01 lm/W
Module efficiency	137.00 lm/W
UGR class	≤19
Beam range	Medium Flood
Beam angle	23°
Supply voltage	220 - 240 V / 50 - 60 Hz
Protection class	II
Type of protection	IP20

Dimensions / Weights

Outer diameter	115 mm
Height	102 mm
Cut-out (Ø)	105 - 107 mm
Ceiling thickness	3.0 - 26.0 mm
Recessed depth	100 mm
Net weight	0.48 kg
Gross weight	0.54 kg

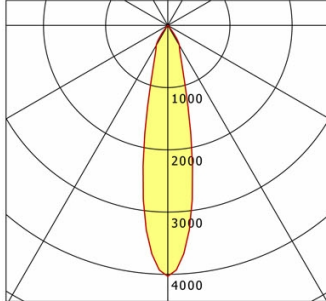


CSA-R 402.930.MF/DALI

CSA-R 402.930.MF/DALI

CSA 40 Generation 2 (1xLED 20W 930/3000K 2640lm 23°)

C0/C180 cd / 1000 lm



	C0	C90	C180	C270
0°	4033	4033	4033	4033
15°	1167	1167	1167	1167
30°	371	371	371	371
45°	13	13	13	13
60°	5	5	5	5
75°	1	1	1	1
90°	0	0	0	0
cd / 1000 lm				

Offset [m] Cone width [m] Illuminance [lx]

Offset [m]	Cone width [m]	Illuminance [lx]
3.0	1.18	1182.9
6.0	2.35	295.7
9.0	3.53	131.4
12.0	4.71	73.9
15.0	5.89	47.3

η	LED
Efficiency	132 lm/W
Direct/Indirect	↓ 100% / ↑ 0%
System Power	20 W
UGR	X=4H, Y=8H
Reflection factors	70/50/20
UGR C0/C180	18.6
UGR C90/C270	18.6
CIE Flux Codes	98 100 100 100 100
Ra/CRI	>90

LTS

Accessories



ZB-OR DONGLE
Organic Response IR dongle kit



ZB-OR GATEWAY
Organic Response IoT Gateway Cascade Series



ZB-OR-R SENSOR
Organic Response sensor for recessed mounting