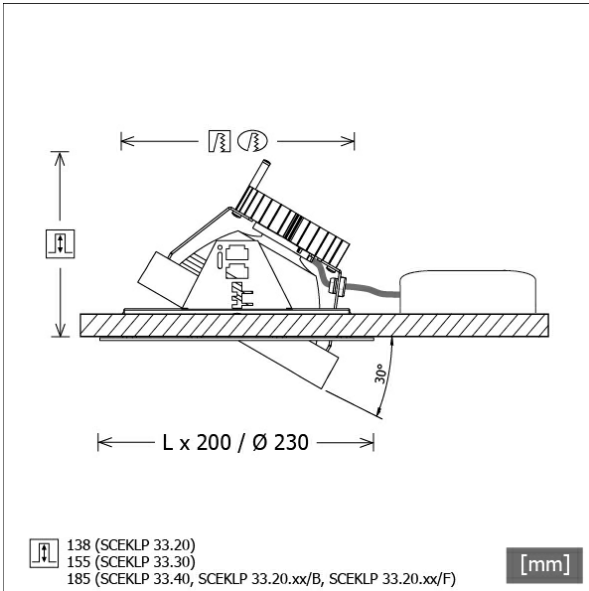


# SCEKLP 33.5040.55



Colours	Article no.	EAN
black	655194	4043544639622
silver	655195	4043544639639
white	655196	4043544639646



## Description

- flexible recessed spotlight system consisting of recessed frames, light-heads and ballasts (recessed frames to be ordered separately)
- light-head pivots through 30° on gimbals
- outstanding ease of maintenance
- no UV and thermal emissions
- thermal management with passive cooling (heat sink made from aluminium)
- gimbals made from die-cast zinc
- specular aluminium reflector with precise symmetrical beam characteristic for high luminous efficiency and glare-free lighting
- clear safety glass
- tool-free installation into mounting frame via flexible retaining springs
- connection to ballast via luminaire cable with Mini-Clamp connector
- ballast (LED converter) included (external placement)

## Standard options



## Special options



## Lighting data / Norms

Lamps	LED Spot / CRI 80 / 4000 K
EPREL light sources	848105
Lifetime	L90 B50 50.000 h
	L80 B50 100.000 h
	L80 B20 50.000 h
System power	52.0 W
Luminaire luminous flux	5850 lm
System efficiency	112.50 lm/W
Module efficiency	167.61 lm/W
UGR class	≤22
Beam range	Wide Flood
Beam angle	57°
Supply voltage	220 - 240 V / 50 - 60 Hz
Protection class	III
Type of protection	IP20

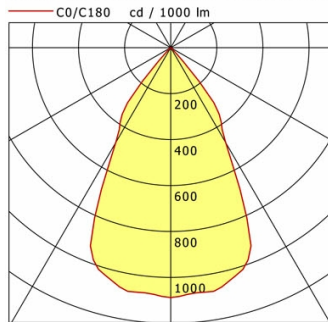
## Dimensions / Weights

Height	165 mm
Recessed depth	185 mm
Diameter of light head	155 mm
Net weight	1.38 kg
Gross weight	1.43 kg

# SCEKLP 33.5040.55

## SCEKLP 33.5040.55

Scene 33 System | Light-Head (1xLED 52W 840/4000K 5850lm 55°)



	C0	C90	C180	C270
0°	1088	1088	1088	1088
15°	1038	1038	1038	1038
30°	477	477	477	477
45°	18	18	18	18
60°	3	3	3	3
75°	2	2	2	2
90°	0	0	0	0
cd / 1000 lm				

Offset [m]	Cone width [m]	Illuminance [lx]
C0-C180 Plane		
3.0	3.26	706.9
6.0	6.52	176.7
9.0	9.79	78.5
12.0	13.05	44.2
15.0	16.31	28.3

<b>η</b>	LED
Efficiency	113 lm/W
Direct/Indirect	↓ 100% / ↑ 0%
System Power	52 W
<b>UGR</b>	X=4H, Y=8H
Reflection factors	70/50/20
UGR C0/C180	21.3
UGR C90/C270	21.3
CIE Flux Codes	97 99 100 100 100
Ra/CRI	>80

LTS

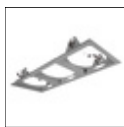
### Accessories



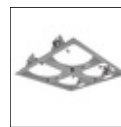
**SCER 33.100**  
mounting frame 1-lamp



**SCER 33.200**  
mounting frame 2-lamp



**SCER 33.300**  
mounting frame 3-lamp



**SCER 33.400**  
mounting frame 4-lamp