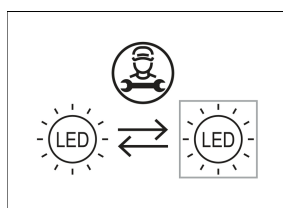
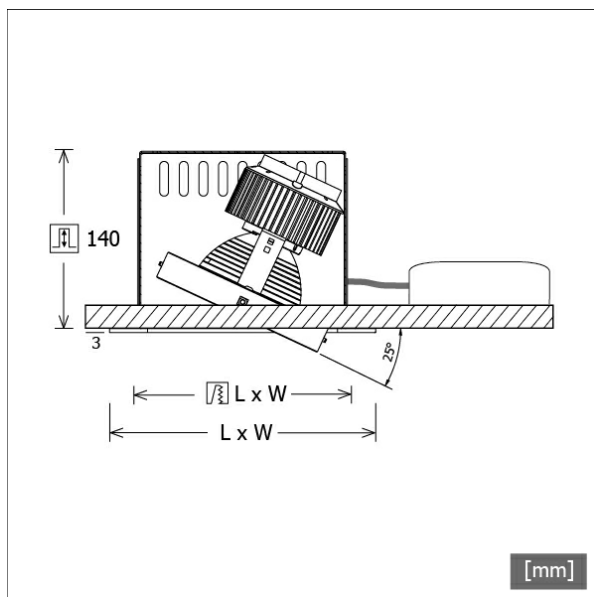


SCEKLP 20.3030.35/DALI



Colours	Article no.	EAN
black	643990	4043544502179
silver	643991	4043544502186
white	643992	4043544502193



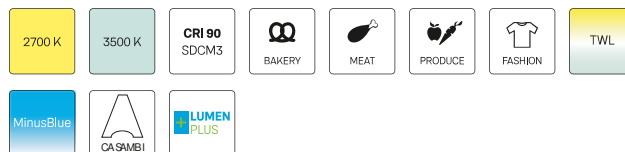
Description

- flexible recessed spotlight system consisting of recessed housings, light-heads and ballasts (recessed housings to be ordered separately)
- light-head pivots through 25° with gimbals
- outstanding ease of maintenance
- no UV and thermal emissions
- light-head gimbals made from die-cast zinc
- thermal management with passive cooling (heat sink made from aluminium)
- specular aluminium reflector with precise symmetrical beam characteristic for high luminous efficiency and glare-free lighting
- clear safety glass
- assembly into the recessed housing takes place in the factory
- connection to ballast via luminaire cable with Mini-Clamp connector
- ballast (LED converter DALI, dimmable) included (external placement)

Standard options



Special options



Lighting data / Norms

Lamps	LED Spot / CRI 80 / 3000 K
EPREL light sources	851239
Lifetime	L90 B50 50.000 h L80 B50 100.000 h L80 B20 50.000 h
System power	32.8 W
Luminaire luminous flux	3560 lm
System efficiency	108.53 lm/W
Module efficiency	158.91 lm/W
UGR class	≤22
Beam range	Flood
Beam angle	33°
Supply voltage	220 - 240 V / 50 - 60 Hz
Protection class	III
Type of protection	IP20

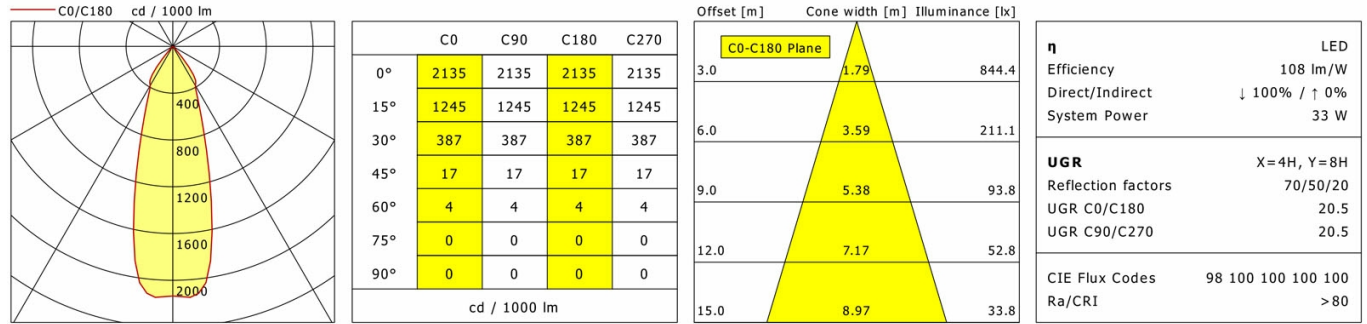
Dimensions / Weights

Height	143 mm
Recessed depth	122 mm
Diameter of light head	140 mm
Net weight	1.03 kg
Gross weight	1.08 kg

SCEKLP 20.3030.35/DALI

SCEKLP 20.3030.35/DALI

Scene 2 System | Light-Head (1xLED 33W 830/3000K 3560lm)



LTS

Accessories



SCER 2.1140
recessed housing 1-lamp



SCER 2.2140
recessed housing 2-lamp



SCER 2.3140
recessed housing 3-lamp



SCER 2.4140
recessed housing 4-lamp



ZB-OR DONGLE
Organic Response IR dongle kit



ZB-OR GATEWAY
Organic Response IoT Gateway Cascade Series



ZB-OR-R SENSOR
Organic Response sensor for recessed mounting