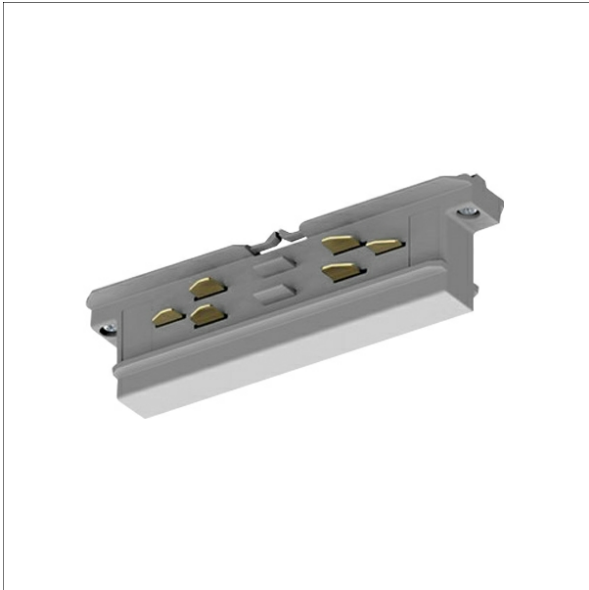


ST-IE/9003



Description

- electric linear connector (inside)
- material: polycarbonate
- copper alloy contacts
- max. electrical load: AC mains power supply 3.6 kVA, 3-phase network 3 x 3.6 kVA = 10.8 kVA
- rated current and voltage: 16 A / 440 V (1 A / 50 V AC FELV)
- tool-free snap-in fixing

Notes

With cord and pendant suspensions because of statics order ST-IM/S-9000-322-LA, too.

Dimensions / Weights

Length	115 mm
Width	26 mm
Height	33 mm
Net weight	0.05 kg
Gross weight	0.07 kg

Colours	Article no.	EAN
black	660268	4043544690883
white	660269	4043544690890
grey	660270	4043544690906

