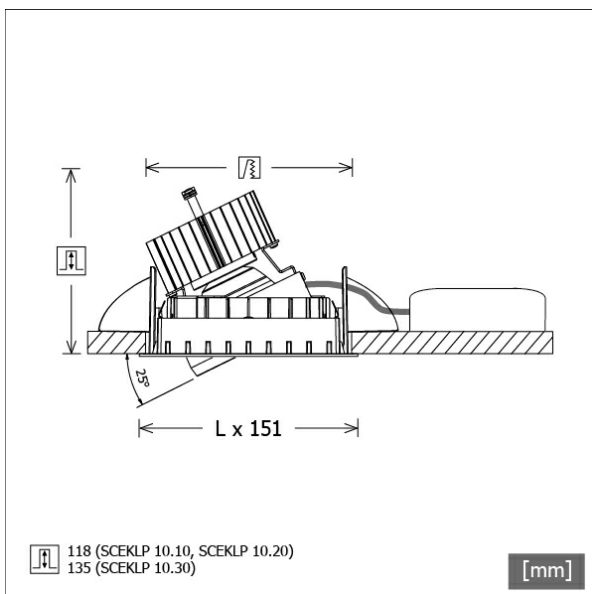


# SCEKLP 10.3040.25/DALI



Colours	Article no.	EAN
black	644095	4043544503220
silver	644096	4043544503237
white	644097	4043544503244



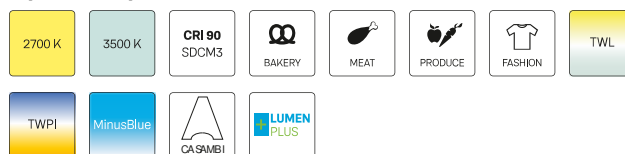
## Description

- flexible recessed spotlight system consisting of recessed frames, light-heads and ballasts (recessed frames to be ordered separately)
- adjustable ceiling look: flush with ceiling or recessed by 6 mm
- light-head rotates through 350° and pivots through 25°
- outstanding ease of maintenance
- no UV and thermal emissions
- light-head consisting of front frame (die-cast magnesium) and front ring (die-cast zinc)
- thermal management with passive cooling (heat sink made from aluminium)
- specular aluminium reflector with precise symmetrical beam characteristic for high luminous efficiency and glare-free lighting
- light-head snaps into mounting frame without tools
- connection to ballast via luminaire cable with Mini-Clamp connector
- ballast (LED converter DALI, dimmable) included (external placement)

## Standard options



## Special options



## Lighting data / Norms

<b>Lamps</b>	LED Spot / CRI 80 / 4000 K
<b>EPREL light sources</b>	851282
	L90 B50 50.000 h
	L80 B50 100.000 h
	L80 B20 50.000 h
<b>Lifetime</b>	
<b>System power</b>	32.8 W
<b>Luminaire luminous flux</b>	3810 lm
<b>System efficiency</b>	116.15 lm/W
<b>Module efficiency</b>	162.17 lm/W
<b>UGR class</b>	≤22
<b>Beam range</b>	Medium Flood
<b>Beam angle</b>	23°
<b>Supply voltage</b>	220 - 240 V / 50 - 60 Hz
<b>Protection class</b>	III
<b>Type of protection</b>	IP20

## Dimensions / Weights

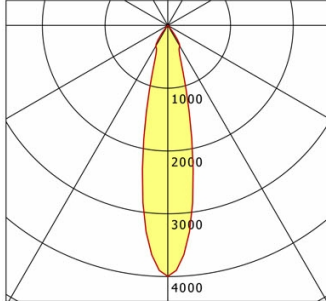
<b>Length</b>	125 mm
<b>Width</b>	125 mm
<b>Height</b>	138 mm
<b>Recessed depth</b>	135 mm
<b>Diameter of light head</b>	100 mm
<b>Net weight</b>	1.04 kg
<b>Gross weight</b>	1.09 kg

# SCEKLP 10.3040.25/DALI

## SCEKLP 10.3040.25/DALI

Scene 1 System | Light-Head (1xLED 33W 840/4000K 3810lm)

C0/C180 cd / 1000 lm



	C0	C90	C180	C270
0°	3996	3996	3996	3996
15°	1218	1218	1218	1218
30°	381	381	381	381
45°	8	8	8	8
60°	3	3	3	3
75°	2	2	2	2
90°	0	0	0	0
cd / 1000 lm				

Offset [m] Cone width [m] Illuminance [lx]

Offset [m]	Cone width [m]	Illuminance [lx]
3.0	1.21	1691.8
6.0	2.41	423.0
9.0	3.62	188.0
12.0	4.83	105.7
15.0	6.03	67.7

<b>η</b>	LED
Efficiency	116 lm/W
Direct/Indirect	↓ 100% / ↑ 0%
System Power	33 W
<b>UGR</b>	X=4H, Y=8H
Reflection factors	70/50/20
UGR C0/C180	20.5
UGR C90/C270	20.5
CIE Flux Codes	99 99 100 100 100
Ra/CRI	>80

LTS

## Accessories



**SCER 1.100**  
mounting frame 1-lamp



**SCER 1.200**  
mounting frame 2-lamp



**SCER 1.300**  
mounting frame 3-lamp



**ZB-OR DONGLE**  
Organic Response IR dongle kit



**ZB-OR GATEWAY**  
Organic Response IoT Gateway Cascade Series



**ZB-OR-R SENSOR**  
Organic Response sensor for recessed mounting