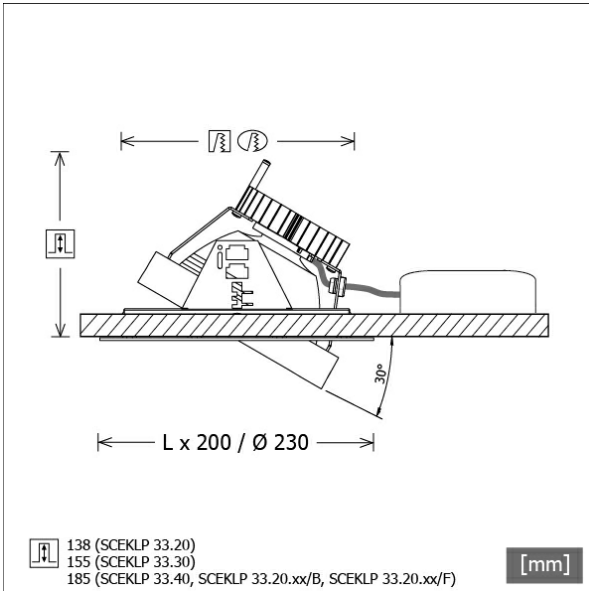


# SCEKLP 33.3030.35/DALI



Colours	Article no.	EAN
black	643774	4043544499806
silver	643775	4043544499813
white	643776	4043544499820



## Description

- flexible recessed spotlight system consisting of recessed frames, light-heads and ballasts (recessed frames to be ordered separately)
- light-head pivots through 30° on gimbals
- outstanding ease of maintenance
- no UV and thermal emissions
- thermal management with passive cooling (heat sink made from aluminium)
- gimbals made from die-cast zinc
- specular aluminium reflector with precise symmetrical beam characteristic for high luminous efficiency and glare-free lighting
- clear safety glass
- tool-free installation into mounting frame via flexible retaining springs
- connection to ballast via luminaire cable with Mini-Clamp connector
- ballast (LED converter DALI, dimmable) included (external placement)

## Standard options



## Special options



## Lighting data / Norms

Lamps	LED Spot / CRI 80 / 3000 K
EPREL light sources	851239
Lifetime	L90 B50 50.000 h
	L80 B50 100.000 h
	L80 B20 50.000 h
System power	32.8 W
Luminaire luminous flux	3330 lm
System efficiency	101.52 lm/W
Module efficiency	158.91 lm/W
UGR class	≤19
Beam range	Flood
Beam angle	30°
Supply voltage	220 - 240 V / 50 - 60 Hz
Protection class	II
Type of protection	IP20

## Dimensions / Weights

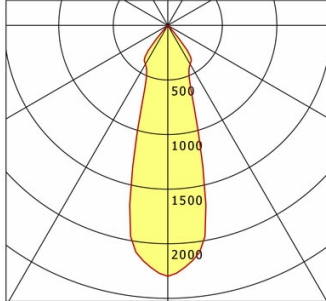
Height	157 mm
Recessed depth	155 mm
Diameter of light head	155 mm
Net weight	1.23 kg
Gross weight	1.32 kg

# SCEKLP 33.3030.35/DALI

## SCEKLP 33.3030.35/DALI

Scene 33 System | Light-Head (1xLED 33W 830/3000K 3330lm 35°)

— C0/C180 cd / 1000 lm



	C0	C90	C180	C270
0°	2299	2299	2299	2299
15°	1163	1163	1163	1163
30°	410	410	410	410
45°	22	22	22	22
60°	5	5	5	5
75°	2	2	2	2
90°	0	0	0	0
cd / 1000 lm				

Offset [m] Cone width [m] Illuminance [lx]

Offset [m]	Cone width [m]	Illuminance [lx]
3.0	1.62	850.5
6.0	3.24	212.6
9.0	4.86	94.5
12.0	6.48	53.2
15.0	8.10	34.0

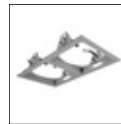
<b>η</b>	LED
Efficiency	101 lm/W
Direct/Indirect	↓ 100% / ↑ 0%
System Power	33 W
<b>UGR</b>	X=4H, Y=8H
Reflection factors	70/50/20
UGR C0/C180	19.1
UGR C90/C270	19.1
CIE Flux Codes	97 99 100 100 100
Ra/CRI	>80

LTS

## Accessories



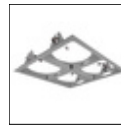
**SCER 33.100**  
mounting frame 1-lamp



**SCER 33.200**  
mounting frame 2-lamp



**SCER 33.300**  
mounting frame 3-lamp



**SCER 33.400**  
mounting frame 4-lamp



**ZB-OR DONGLE**  
Organic Response IR dongle kit



**ZB-OR GATEWAY**  
Organic Response IoT Gateway Cascade Series



**ZB-OR-R SENSOR**  
Organic Response sensor for recessed mounting