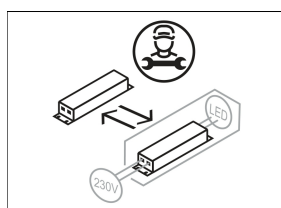
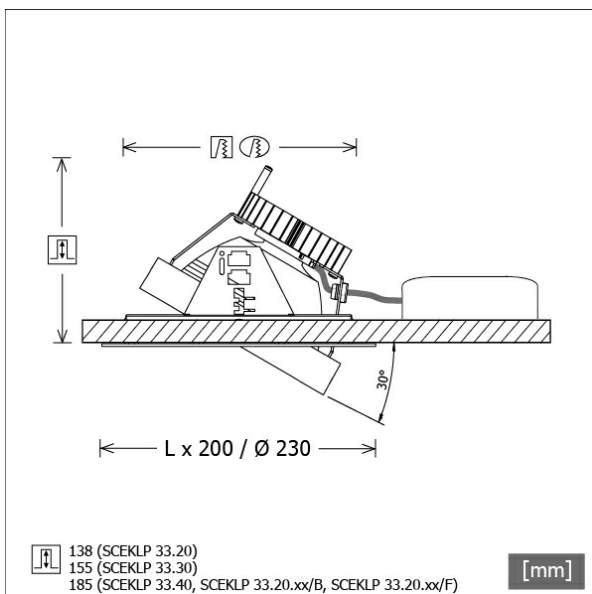


SCEKLP 33.20.35/B



Colours	Article no.	EAN
black	638480	4043544421593
silver	638481	4043544421609
white	638482	4043544421616



Description

- flexible recessed spotlight system for special lighting of bakery products consisting of recessed frames, light-heads and ballasts (recessed frames to be ordered separately)
- light-head pivots through 30° on gimbals
- outstanding ease of maintenance
- no UV and thermal emissions
- thermal management with passive cooling (heat sink made from aluminium)
- gimbals made from die-cast zinc
- specular aluminium reflector with precise symmetrical beam characteristic for high luminous efficiency and glare-free lighting
- clear safety glass
- tool-free installation into mounting frame via flexible retaining springs
- connection to ballast via luminaire cable with Mini-Clamp connector
- ballast (LED converter) included (external placement)

Standard options



Special options



Lighting data / Norms

Lamps	LED Spot Bakery
EPREL light sources	832579
Lifetime	L90 B50 50.000 h L80 B50 100.000 h L80 B20 50.000 h
System power	36.1 W
Luminaire luminous flux	3480 lm
System efficiency	96.39 lm/W
Module efficiency	109.90 lm/W
UGR class	≤19
Beam range	Medium Flood
Beam angle	30°
Supply voltage	220 - 240 V / 50 - 60 Hz
Protection class	III
Type of protection	IP20

Dimensions / Weights

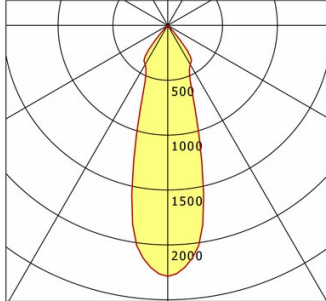
Height	140 mm
Recessed depth	185 mm
Diameter of light head	155 mm
Net weight	1.36 kg
Gross weight	1.42 kg

SCEKLP 33.20.35/B

SCEKLP 33.20.35/B

Scene 33 System | Light-Head (1xLED 36W BAKERY 3480lm 35°)

C0/C180 cd / 1000 lm



	C0	C90	C180	C270
0°	2287	2287	2287	2287
15°	1155	1155	1155	1155
30°	412	412	412	412
45°	22	22	22	22
60°	4	4	4	4
75°	2	2	2	2
90°	0	0	0	0
cd / 1000 lm				

Offset [m] Cone width [m] Illuminance [lx]

Offset [m]	Cone width [m]	Illuminance [lx]
3.0	1.62	884.1
6.0	3.24	221.0
9.0	4.86	98.2
12.0	6.48	55.3
15.0	8.09	35.4

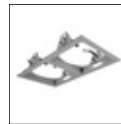
η	LED
Efficiency	97 lm/W
Direct/Indirect	↓ 100% / ↑ 0%
System Power	36 W
UGR	X=4H, Y=8H
Reflection factors	70/50/20
UGR C0/C180	19.3
UGR C90/C270	19.3
CIE Flux Codes	97 99 100 100 100
Ra/CRI	---

LTS

Accessories



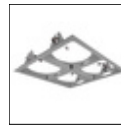
SCER 33.100
mounting frame 1-lamp



SCER 33.200
mounting frame 2-lamp



SCER 33.300
mounting frame 3-lamp



SCER 33.400
mounting frame 4-lamp