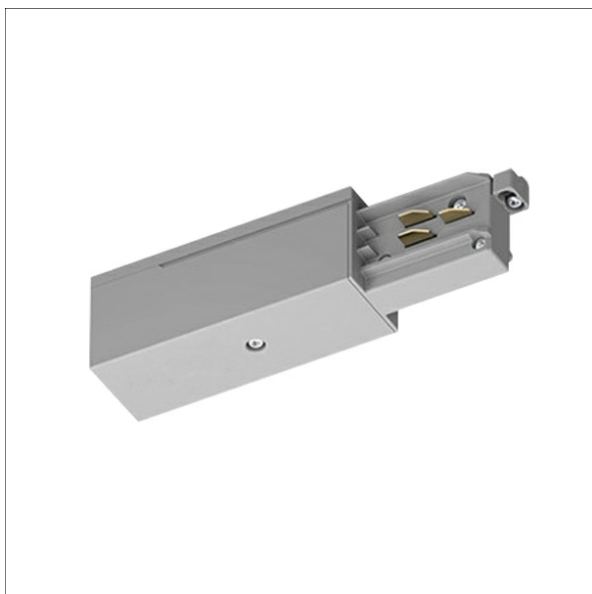


ST-A F/PE-L/9002



Description

- end feed-in with polarity left
- material: polycarbonate
- copper alloy contacts
- max. electrical load: AC mains power supply 3.6 kVA, 3-phase network 3 x 3.6 kVA = 10.8 kVA
- rated current and voltage: 16 A / 440 V (1 A / 50 V AC FELV)
- tool-free snap-in fixing
- terminals with screw and nut

Dimensions / Weights

Length	95 mm
Width	32 mm
Height	38 mm
Net weight	0.10 kg
Gross weight	0.12 kg

Colours	Article no.	EAN
black	660265	4043544690852
white	660266	4043544690869
grey	660267	4043544690876

