

# CSA-R 402.940.FL



## Description

- recessed downlight with wide range of applications
- outstanding ease of maintenance
- no UV and thermal emissions
- innovative thermal management with passive cooling (heat sink made from die-cast aluminium)
- specular aluminium reflector with precise symmetrical beam characteristic for high luminous efficiency and glare-free lighting
- front ring made from die-cast aluminium with filigree black polycarbonate inner ring for additional glare control
- tool-free ceiling mounting via quick-action clamping springs (automatic adjustment of the ceiling thickness)
- luminaire and ballast permanently connected via cable (length: 500 mm), ballast ready for mains connection
- ballast (LED converter) included (external placement)

## Notes

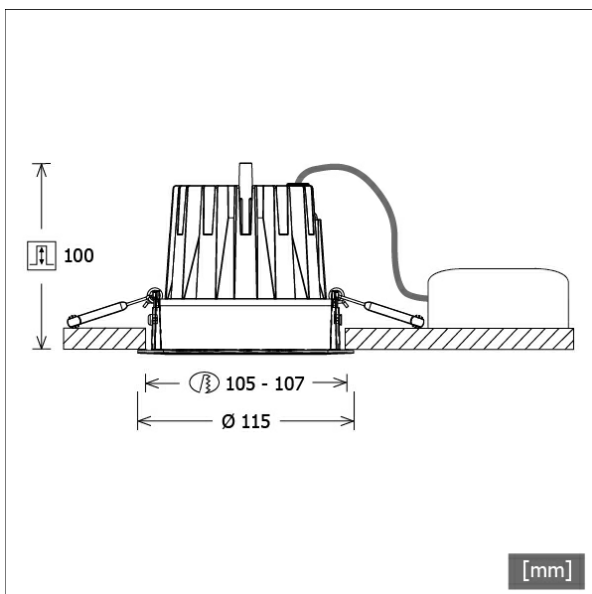
Also available with lower system power / lumen output on request.

Colours	Article no.	EAN
silver	668937	4043544806055
black	668938	4043544806062
white	668939	4043544806079

## Standard options



## Special options



## Lighting data / Norms

Lamps	LED Spot / CRI 90 / 4000 K
EPREL light sources	1024000
Lifetime	L90 B50 50.000 h L80 B50 100.000 h L80 B20 50.000 h
System power	19.7 W
Luminaire luminous flux	2630 lm
System efficiency	133.50 lm/W
Module efficiency	136.81 lm/W
UGR class	≤19
Beam range	Flood
Beam angle	36°
Supply voltage	220 - 240 V / 50 - 60 Hz
Protection class	II
Type of protection	IP20

## Dimensions / Weights

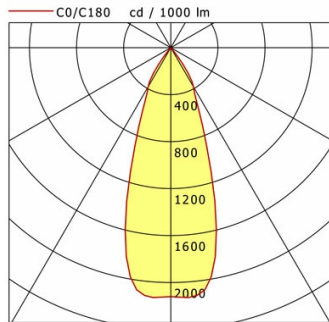
Outer diameter	115 mm
Height	102 mm
Cut-out (Ø)	105 - 107 mm
Ceiling thickness	3.0 - 26.0 mm
Recessed depth	100 mm
Net weight	0.42 kg
Gross weight	0.48 kg



# CSA-R 402.940.FL

## CSA-R 402.940.FL

CSA 40 Generation 2 (1xLED 20W 940/4000K 2630lm 36°)



	C0	C90	C180	C270
0°	2120	2120	2120	2120
15°	1482	1482	1482	1482
30°	385	385	385	385
45°	11	11	11	11
60°	2	2	2	2
75°	0	0	0	0
90°	0	0	0	0
cd / 1000 lm				

Offset [m]	Cone width [m]	Illuminance [lx]
3.0	2.00	619.6
6.0	3.99	154.9
9.0	5.99	68.8
12.0	7.98	38.7
15.0	9.98	24.8

<b>η</b>	LED
Efficiency	132 lm/W
Direct/Indirect	↓ 100% / ↑ 0%
System Power	20 W
<b>UGR</b>	X=4H, Y=8H
Reflection factors	70/50/20
UGR C0/C180	18.7
UGR C90/C270	18.7
CIE Flux Codes	99 100 100 100 100
Ra/CRI	>90

LTS