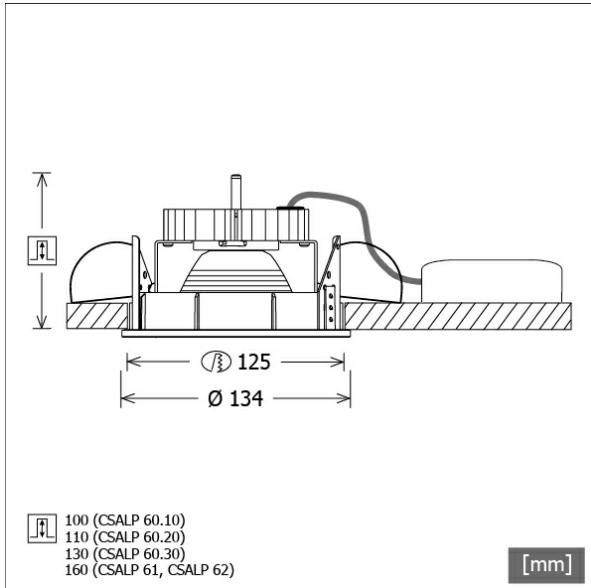


# CSALP 60.2040.50



Colours	Article no.	EAN
black	632996	4043544402011
silver	634666	4043544368362
white	634669	4043544368379



## Description

- recessed spotlight with wide range of applications
- luminaire rotates through 350° and pivots through 40°
- outstanding ease of maintenance
- no UV and thermal emissions
- thermal management with passive cooling (heat sink made from aluminium)
- specular aluminium reflector with precise symmetrical beam characteristic for high luminous efficiency and glare-free lighting
- front rings and recessed ring made from die-cast zinc
- tool-free ceiling mounting via quick-action clamping springs (automatic adjustment of the ceiling thickness)
- luminaire and ballast permanently connected via cable (length: 500 mm), ballast ready for mains connection
- ballast (LED converter) included (external placement)

## Standard options



## Special options



## Lighting data / Norms

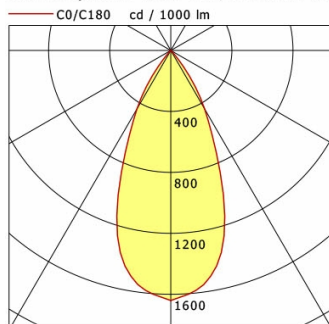
Lamps	LED Spot / CRI 80 / 4000 K
EPREL light sources	848119
	L90 B50 50.000 h
	L80 B50 100.000 h
	L80 B20 50.000 h
Lifetime	
System power	27.0 W
Luminaire luminous flux	2790 lm
System efficiency	103.33 lm/W
Module efficiency	160.37 lm/W
UGR class	≤22
Beam angle	50°
Supply voltage	220 - 240 V / 50 - 60 Hz
Protection class	II
Type of protection	IP20

## Dimensions / Weights

Outer diameter	134 mm
Height	100 mm
Cut-out (Ø)	125 mm
Ceiling thickness	1.0 - 25.0 mm
Recessed depth	110 mm
Net weight	1.05 kg
Gross weight	1.11 kg

# CSALP 60.2040.50

CSA 60 (1xLED 27W 840/4000K 2790lm 50 °)



	C0	C90	C180	C270
0°	1641	1641	1641	1641
15°	1320	1320	1320	1320
30°	443	443	443	443
45°	10	10	10	10
60°	4	4	4	4
75°	4	4	4	4
90°	0	0	0	0
cd / 1000 lm				

Offset [m]	Cone width [m]	Illuminance [lx]
3.0	2.50	508.7
6.0	5.01	127.2
9.0	7.51	56.5
12.0	10.02	31.8
15.0	12.52	20.3

<b>η</b>	LED
Efficiency	103 lm/W
Direct/Indirect	↓ 100% / ↑ 0%
System Power	27 W
<b>UGR</b>	X=4H, Y=8H
Reflection factors	70/50/20
UGR C0/C180	20.1
UGR C90/C270	20.1
CIE Flux Codes	98 99 100 100 100
Ra/CRI	>80

LTS

## Accessories



**ZDAR 125.145-205**  
compensation ring for ceiling cut-outs from 145 to 205 mm