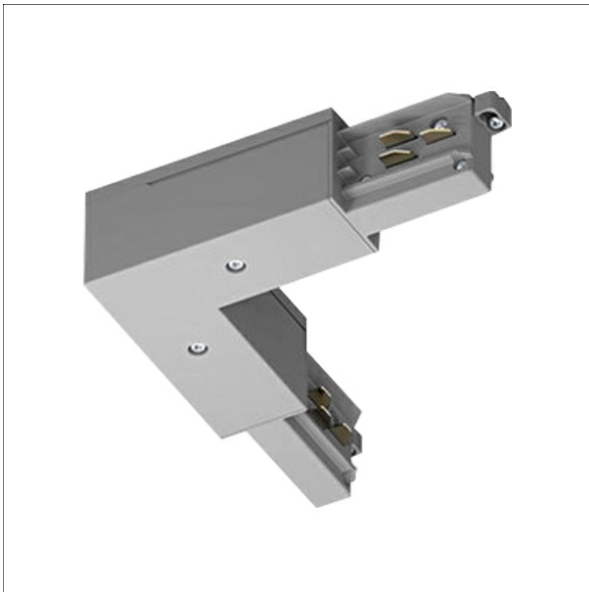


# ST-A L/PE-IN/9011



## Description

- I-connector with polarity inside and feed-in
- material: polycarbonate
- copper alloy contacts
- max. electrical load: AC mains power supply 3.6 kVA, 3-phase network 3 x 3.6 kVA = 10.8 kVA
- rated current and voltage: 16 A / 440 V (1 A / 50 V AC FELV)
- tool-free snap-in fixing
- terminals with screws

## Dimensions / Weights

Length	90 mm
Width	32 mm
Height	38 mm
Net weight	0.19 kg
Gross weight	0.22 kg

Colours	Article no.	EAN
black	660277	4043544690975
white	660278	4043544690982
grey	660279	4043544690999

