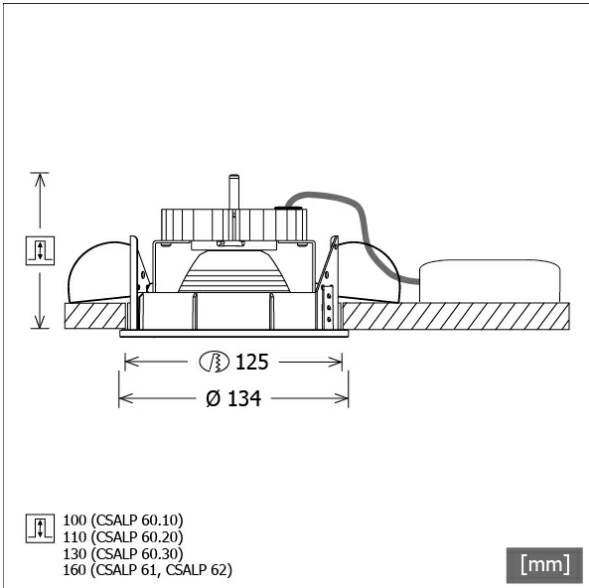


# CSALP 60.1041.25



Colours	Article no.	EAN
silver	612601	4043544290670
white	612602	4043544290687
black	637527	4043544411068



## Description

- recessed spotlight with wide range of applications
- luminaire rotates through 350° and pivots through 40°
- outstanding ease of maintenance
- no UV and thermal emissions
- thermal management with passive cooling (heat sink made from aluminium)
- specular aluminium reflector with precise symmetrical beam characteristic for high luminous efficiency and glare-free lighting
- front rings and recessed ring made from die-cast zinc
- tool-free ceiling mounting via quick-action clamping springs (automatic adjustment of the ceiling thickness)
- luminaire and ballast permanently connected via cable (length: 500 mm), ballast ready for mains connection
- ballast (LED converter) included (external placement)

## Standard options



## Special options



## Lighting data / Norms

Lamps	LED Spot / CRI 80 / 4000 K
EPREL light sources	848119
	L90 B50 50.000 h
	L80 B50 100.000 h
	L80 B20 50.000 h
Lifetime	
System power	14.0 W
Luminaire luminous flux	1500 lm
System efficiency	107.14 lm/W
Module efficiency	160.37 lm/W
UGR class	≤19
Beam angle	25°
Supply voltage	220 - 240 V / 50 - 60 Hz
Protection class	II
Type of protection	IP20

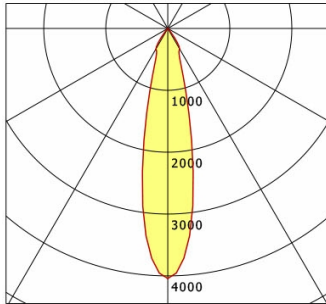
## Dimensions / Weights

Outer diameter	134 mm
Height	90 mm
Cut-out (Ø)	125 mm
Ceiling thickness	1.0 - 25.0 mm
Recessed depth	100 mm
Net weight	0.94 kg
Gross weight	0.99 kg

# CSALP 60.1041.25

CSA 60 (1xLED 14W 840/4000K 1500lm 25 °)

C0/C180 cd / 1000 lm



	C0	C90	C180	C270
0°	4042	4042	4042	4042
15°	1214	1214	1214	1214
30°	380	380	380	380
45°	8	8	8	8
60°	2	2	2	2
75°	2	2	2	2
90°	0	0	0	0
cd / 1000 lm				

Offset [m] Cone width [m] Illuminance [lx]

Offset [m]	Cone width [m]	Illuminance [lx]
3.0	1.20	673.7
6.0	2.41	168.4
9.0	3.61	74.9
12.0	4.82	42.1
15.0	6.02	26.9

<b>η</b>	LED
Efficiency	107 lm/W
Direct/Indirect	↓ 100% / ↑ 0%
System Power	14 W
<b>UGR</b>	X=4H, Y=8H
Reflection factors	70/50/20
UGR C0/C180	17.1
UGR C90/C270	17.1
CIE Flux Codes	99 99 100 100 100
Ra/CRI	>80

LTS

## Accessories



**ZDAR 125.145-205**  
compensation ring for ceiling cut-outs from 145 to 205 mm