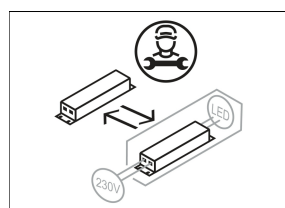
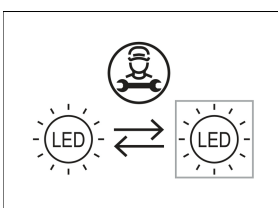
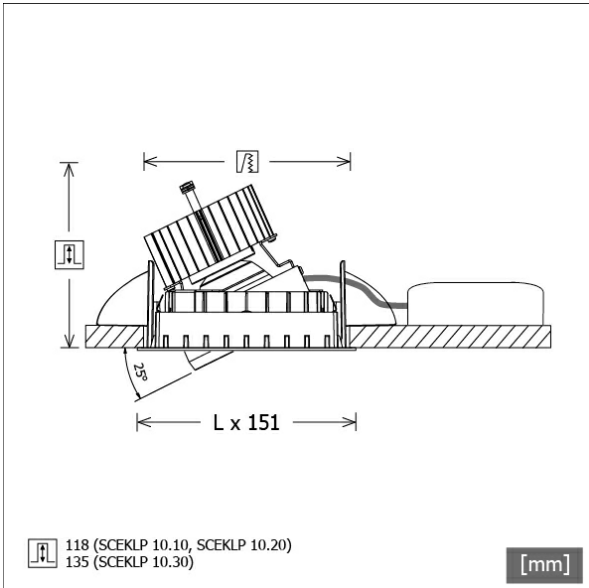


# SCEKLP 10.3040.35



Colours	Article no.	EAN
white	632802	4043544409485
silver	632821	4043544409478
black	632832	4043544409461



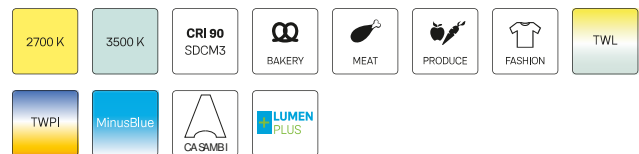
## Description

- flexible recessed spotlight system consisting of recessed frames, light-heads and ballasts (recessed frames to be ordered separately)
- adjustable ceiling look: flush with ceiling or recessed by 6 mm
- light-head rotates through 350° and pivots through 25°
- outstanding ease of maintenance
- no UV and thermal emissions
- light-head consisting of front frame (die-cast magnesium) and front ring (die-cast zinc)
- thermal management with passive cooling (heat sink made from aluminium)
- specular aluminium reflector with precise symmetrical beam characteristic for high luminous efficiency and glare-free lighting
- light-head snaps into mounting frame without tools
- connection to ballast via luminaire cable with Mini-Clamp connector
- ballast (LED converter) included (external placement)

## Standard options



## Special options



## Lighting data / Norms

Lamps	LED Spot / CRI 80 / 4000 K
EPREL light sources	851282
Lifetime	L90 B50 50.000 h
	L80 B50 100.000 h
	L80 B20 50.000 h
System power	32.8 W
Luminaire luminous flux	3790 lm
System efficiency	115.54 lm/W
Module efficiency	162.17 lm/W
UGR class	≤22
Beam range	Flood
Beam angle	36°
Supply voltage	220 - 240 V / 50 - 60 Hz
Protection class	III
Type of protection	IP20

## Dimensions / Weights

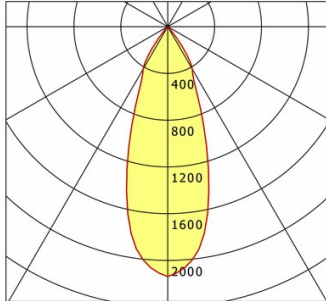
Length	125 mm
Width	125 mm
Height	138 mm
Recessed depth	135 mm
Diameter of light head	100 mm
Net weight	0.97 kg
Gross weight	1.03 kg

# SCEKLP 10.3040.35

## SCEKLP 10.3040.35

Scene 1 System | Light-Head (1xLED 33W 840/4000K 3790lm)

C0/C180 cd / 1000 lm



	C0	C90	C180	C270
0°	2138	2138	2138	2138
15°	1357	1357	1357	1357
30°	420	420	420	420
45°	13	13	13	13
60°	4	4	4	4
75°	3	3	3	3
90°	0	0	0	0
cd / 1000 lm				

Offset [m] Cone width [m] Illuminance [lx]

Offset [m]	Cone width [m]	Illuminance [lx]
3.0	1.95	900.3
6.0	3.90	225.1
9.0	5.86	100.0
12.0	7.81	56.3
15.0	9.76	36.0

<b>η</b>	LED
Efficiency	115 lm/W
Direct/Indirect	↓ 100% / ↑ 0%
System Power	33 W
<b>UGR</b>	X=4H, Y=8H
Reflection factors	70/50/20
UGR C0/C180	21.2
UGR C90/C270	21.2
CIE Flux Codes	98 99 100 100 100
Ra/CRI	>80

LTS

### Accessories



**SCER 1.100**  
mounting frame 1-lamp



**SCER 1.200**  
mounting frame 2-lamp



**SCER 1.300**  
mounting frame 3-lamp