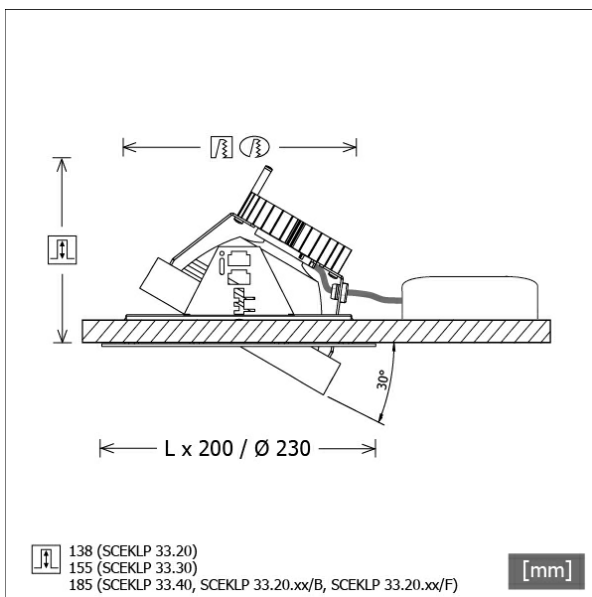


# SCEKLP 33.2030.35



Colours	Article no.	EAN
black	619072	4043544406118
white	619074	4043544406132
silver	619085	4043544406125



## Description

- flexible recessed spotlight system consisting of recessed frames, light-heads and ballasts (recessed frames to be ordered separately)
- light-head pivots through 30° on gimbals
- outstanding ease of maintenance
- no UV and thermal emissions
- thermal management with passive cooling (heat sink made from aluminium)
- gimbals made from die-cast zinc
- specular aluminium reflector with precise symmetrical beam characteristic for high luminous efficiency and glare-free lighting
- clear safety glass
- tool-free installation into mounting frame via flexible retaining springs
- connection to ballast via luminaire cable with Mini-Clamp connector
- ballast (LED converter) included (external placement)

## Standard options



## Special options

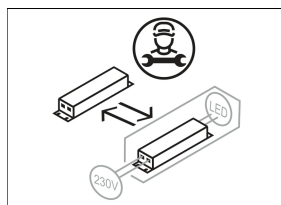


## Lighting data / Norms

<b>Lamps</b>	LED Spot / CRI 80 / 3000 K
<b>EPREL light sources</b>	848117
	L90 B50 50.000 h
<b>Lifetime</b>	L80 B50 100.000 h
	L80 B20 50.000 h
<b>System power</b>	25.8 W
<b>Luminaire luminous flux</b>	2640 lm
<b>System efficiency</b>	102.32 lm/W
<b>Module efficiency</b>	156.64 lm/W
<b>UGR class</b>	≤19
<b>Beam range</b>	Flood
<b>Beam angle</b>	30°
<b>Supply voltage</b>	220 - 240 V / 50 - 60 Hz
<b>Protection class</b>	III
<b>Type of protection</b>	IP20

## Dimensions / Weights

<b>Height</b>	140 mm
<b>Recessed depth</b>	138 mm
<b>Diameter of light head</b>	155 mm
<b>Net weight</b>	1.10 kg
<b>Gross weight</b>	1.16 kg

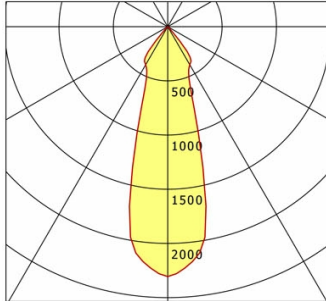


# SCEKLP 33.2030.35

## SCEKLP 33.2030.35

Scene 33 System | Light-Head (1xLED 26W 830/3000K 2640lm 35°)

— C0/C180 cd / 1000 lm



	C0	C90	C180	C270
0°	2306	2306	2306	2306
15°	1175	1175	1175	1175
30°	406	406	406	406
45°	21	21	21	21
60°	4	4	4	4
75°	1	1	1	1
90°	0	0	0	0
cd / 1000 lm				

Offset [m] Cone width [m] Illuminance [lx]

Offset [m]	Cone width [m]	Illuminance [lx]
3.0	1.63	676.3
6.0	3.25	169.1
9.0	4.88	75.1
12.0	6.50	42.3
15.0	8.13	27.1

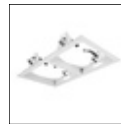
<b>η</b>	LED
Efficiency	102 lm/W
Direct/Indirect	↓ 100% / ↑ 0%
System Power	26 W
<b>UGR</b>	X=4H, Y=8H
Reflection factors	70/50/20
UGR C0/C180	18.2
UGR C90/C270	18.2
CIE Flux Codes	97 100 100 100 100
Ra/CRI	>80

LTS

### Accessories



**SCER 33.100**  
mounting frame 1-lamp



**SCER 33.200**  
mounting frame 2-lamp



**SCER 33.300**  
mounting frame 3-lamp



**SCER 33.400**  
mounting frame 4-lamp