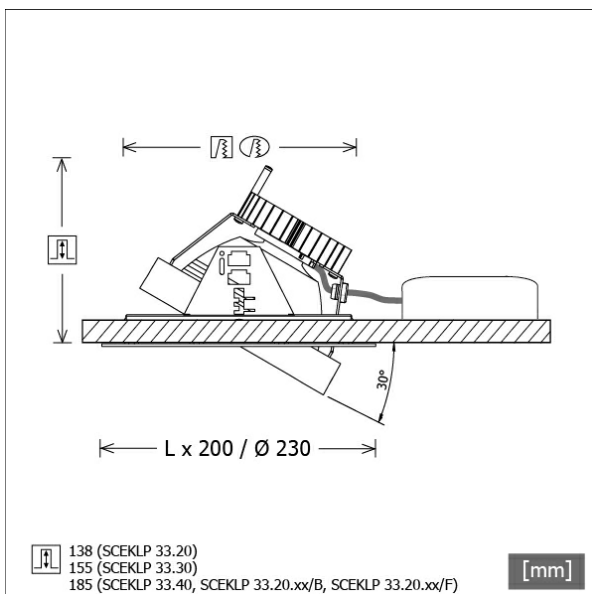


SCEKLP 33.20.25/B



Colours	Article no.	EAN
black	638477	4043544421562
silver	638478	4043544421579
white	638479	4043544421586



Description

- flexible recessed spotlight system for special lighting of bakery products consisting of recessed frames, light-heads and ballasts (recessed frames to be ordered separately)
- light-head pivots through 30° on gimbals
- outstanding ease of maintenance
- no UV and thermal emissions
- thermal management with passive cooling (heat sink made from aluminium)
- gimbals made from die-cast zinc
- specular aluminium reflector with precise symmetrical beam characteristic for high luminous efficiency and glare-free lighting
- clear safety glass
- tool-free installation into mounting frame via flexible retaining springs
- connection to ballast via luminaire cable with Mini-Clamp connector
- ballast (LED converter) included (external placement)

Standard options



Special options



Lighting data / Norms

Lamps	LED Spot Bakery / CRI 82
EPREL light sources	832579
Lifetime	L90 B50 50.000 h L80 B50 100.000 h L80 B20 50.000 h
System power	36.1 W
Luminaire luminous flux	3520 lm
System efficiency	97.50 lm/W
Module efficiency	109.90 lm/W
UGR class	≤19
Beam range	Spot
Beam angle	22°
Supply voltage	220 - 240 V / 50 - 60 Hz
Protection class	III
Type of protection	IP20

Dimensions / Weights

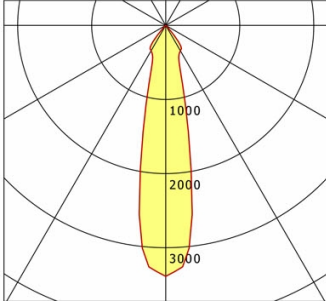
Height	140 mm
Recessed depth	185 mm
Diameter of light head	155 mm
Net weight	1.36 kg
Gross weight	1.42 kg

SCEKLP 33.20.25/B

SCEKLP 33.20.25/B

Scene 33 System | Light-Head (1xLED 36W BAKERY 3520lm 25°)

C0/C180 cd / 1000 lm



	C0	C90	C180	C270
0°	3386	3386	3386	3386
15°	949	949	949	949
30°	396	396	396	396
45°	29	29	29	29
60°	5	5	5	5
75°	2	2	2	2
90°	0	0	0	0
cd / 1000 lm				

Offset [m] Cone width [m] Illuminance [lx]

Offset [m]	Cone width [m]	Illuminance [lx]
3.0	1.18	1324.4
6.0	2.37	331.1
9.0	3.55	147.2
12.0	4.73	82.8
15.0	5.92	53.0

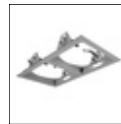
η	LED
Efficiency	98 lm/W
Direct/Indirect	↓ 100% / ↑ 0%
System Power	36 W
UGR	X=4H, Y=8H
Reflection factors	70/50/20
UGR C0/C180	19.2
UGR C90/C270	19.2
CIE Flux Codes	96 99 100 100 100
Ra/CRI	---

LTS

Accessories



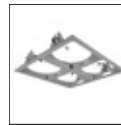
SCER 33.100
mounting frame 1-lamp



SCER 33.200
mounting frame 2-lamp



SCER 33.300
mounting frame 3-lamp



SCER 33.400
mounting frame 4-lamp