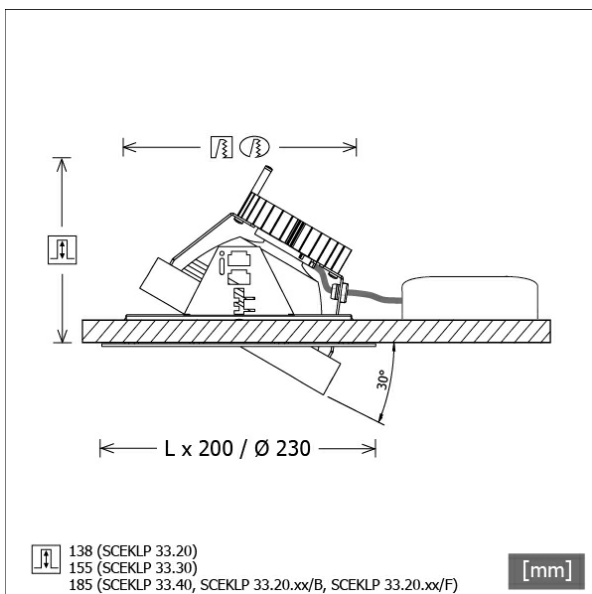


# SCEKLP 33.2030.55/DALI



Colours	Article no.	EAN
black	643753	4043544499592
silver	643754	4043544499608
white	643755	4043544499615



## Description

- flexible recessed spotlight system consisting of recessed frames, light-heads and ballasts (recessed frames to be ordered separately)
- light-head pivots through 30° on gimbals
- outstanding ease of maintenance
- no UV and thermal emissions
- thermal management with passive cooling (heat sink made from aluminium)
- gimbals made from die-cast zinc
- specular aluminium reflector with precise symmetrical beam characteristic for high luminous efficiency and glare-free lighting
- clear safety glass
- tool-free installation into mounting frame via flexible retaining springs
- connection to ballast via luminaire cable with Mini-Clamp connector
- ballast (LED converter DALI, dimmable) included (external placement)

## Standard options



## Special options



## Lighting data / Norms

Lamps	LED Spot / CRI 80 / 3000 K
EPREL light sources	848117
Lifetime	L90 B50 50.000 h
	L80 B50 100.000 h
	L80 B20 50.000 h
System power	25.8 W
Luminaire luminous flux	2750 lm
System efficiency	106.58 lm/W
Module efficiency	156.64 lm/W
UGR class	≤19
Beam range	Wide Flood
Beam angle	57°
Supply voltage	220 - 240 V / 50 - 60 Hz
Protection class	II
Type of protection	IP20

## Dimensions / Weights

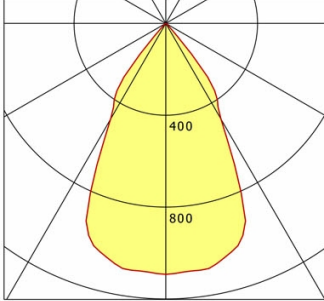
Height	140 mm
Recessed depth	138 mm
Diameter of light head	155 mm
Net weight	1.16 kg
Gross weight	1.29 kg

# SCEKLP 33.2030.55/DALI

## SCEKLP 33.2030.55/DALI

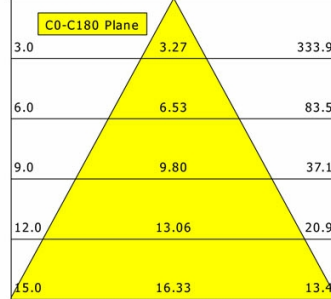
Scene 33 System | Light-Head (1xLED 26W 830/3000K 2750lm 55°)

— C0/C180 cd / 1000 lm



	C0	C90	C180	C270
0°	1093	1093	1093	1093
15°	1044	1044	1044	1044
30°	481	481	481	481
45°	20	20	20	20
60°	2	2	2	2
75°	2	2	2	2
90°	0	0	0	0
cd / 1000 lm				

Offset [m] Cone width [m] Illuminance [lx]



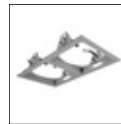
<b>η</b>	LED
Efficiency	106 lm/W
Direct/Indirect	↓ 100% / ↑ 0%
System Power	26 W
<b>UGR</b>	X=4H, Y=8H
Reflection factors	70/50/20
UGR C0/C180	18.7
UGR C90/C270	18.7
CIE Flux Codes	97 99 100 100 100
Ra/CRI	>80

LTS

### Accessories



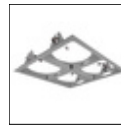
**SCER 33.100**  
mounting frame 1-lamp



**SCER 33.200**  
mounting frame 2-lamp



**SCER 33.300**  
mounting frame 3-lamp



**SCER 33.400**  
mounting frame 4-lamp



**ZB-OR DONGLE**  
Organic Response IR dongle kit



**ZB-OR GATEWAY**  
Organic Response IoT Gateway Cascade Series



**ZB-OR-R SENSOR**  
Organic Response sensor for recessed mounting