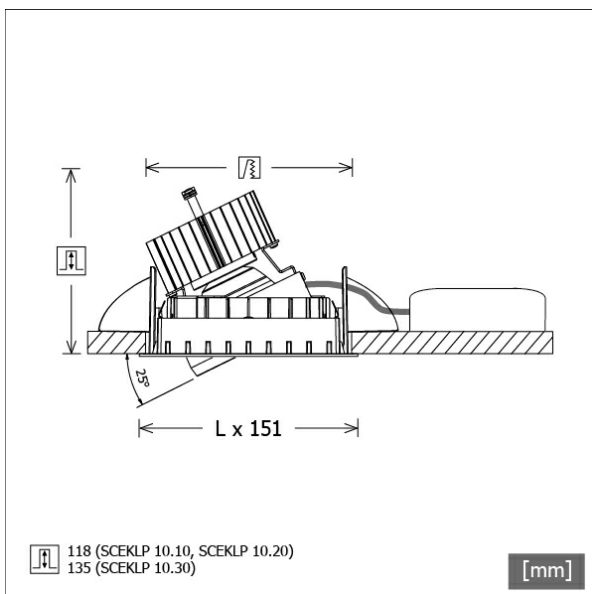


SCEKLP 10.1041.50



Colours	Article no.	EAN
black	633428	4043544353566
silver	633429	4043544353573
white	633430	4043544353580



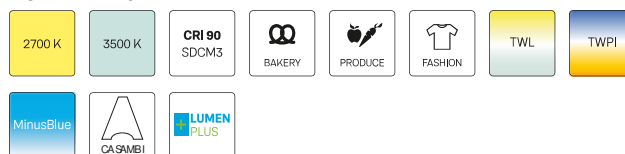
Description

- flexible recessed spotlight system consisting of recessed frames, light-heads and ballasts (recessed frames to be ordered separately)
- adjustable ceiling look: flush with ceiling or recessed by 6 mm
- light-head rotates through 350° and pivots through 25°
- outstanding ease of maintenance
- no UV and thermal emissions
- light-head consisting of front frame (die-cast magnesium) and front ring (die-cast zinc)
- thermal management with passive cooling (heat sink made from aluminium)
- specular aluminium reflector with precise symmetrical beam characteristic for high luminous efficiency and glare-free lighting
- light-head snaps into mounting frame without tools
- connection to ballast via luminaire cable with Mini-Clamp connector
- ballast (LED converter) included (external placement)

Standard options



Special options



Lighting data / Norms

Lamps	LED Spot / CRI 80 / 4000 K
EPREL light sources	848119
Lifetime	L90 B50 50.000 h
	L80 B50 100.000 h
	L80 B20 50.000 h
System power	13.4 W
Luminaire luminous flux	1470 lm
System efficiency	109.70 lm/W
Module efficiency	160.37 lm/W
UGR class	≤19
Beam range	Wide Flood
Beam angle	46°
Supply voltage	220 - 240 V / 50 - 60 Hz
Protection class	III
Type of protection	IP20

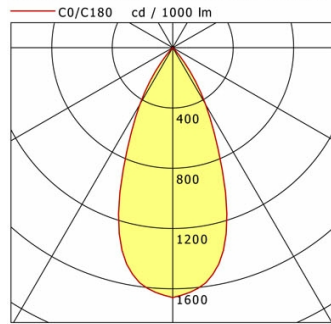
Dimensions / Weights

Length	125 mm
Width	125 mm
Height	121 mm
Recessed depth	118 mm
Diameter of light head	100 mm
Net weight	0.65 kg
Gross weight	0.71 kg

SCEKLP 10.1041.50

SCEKLP 10.1041.50

Scene 1 System | Light-Head (1xLED 13W 840/4000K 1470lm)



	C0	C90	C180	C270
0°	1658	1658	1658	1658
15°	1338	1338	1338	1338
30°	434	434	434	434
45°	12	12	12	12
60°	3	3	3	3
75°	3	3	3	3
90°	0	0	0	0
cd / 1000 lm				

Offset [m]	Cone width [m]	Illuminance [lx]
3.0	2.51	270.8
6.0	5.01	67.7
9.0	7.52	30.1
12.0	10.03	16.9
15.0	12.53	10.8

η	LED
Efficiency	113 lm/W
Direct/Indirect	↓ 100% / ↑ 0%
System Power	13 W
UGR	X=4H, Y=8H
Reflection factors	70/50/20
UGR C0/C180	17.5
UGR C90/C270	17.5
CIE Flux Codes	98 99 100 100 100
Ra/CRI	>80

LTS

Accessories



SCER 1.100
mounting frame 1-lamp



SCER 1.200
mounting frame 2-lamp



SCER 1.300
mounting frame 3-lamp