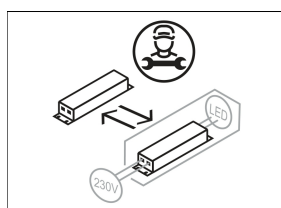
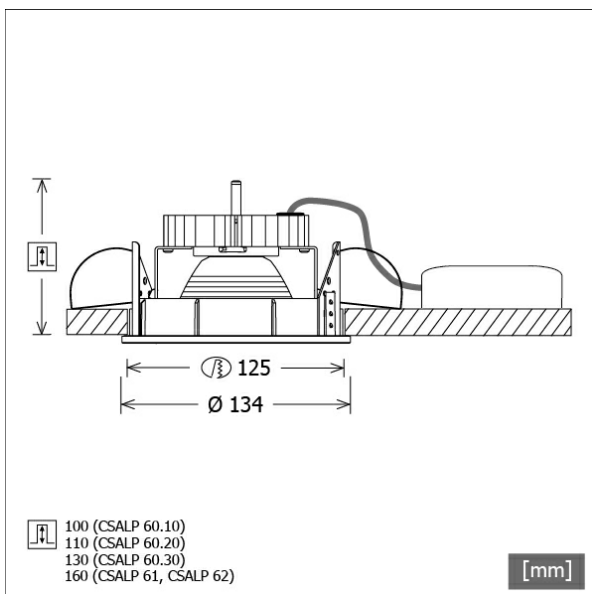


CSALP 61.20.35/B



Colours	Article no.	EAN
silver	641407	4043544436252
white	641408	4043544436269
black	641406	4043544436429



Description

- recessed spotlight for special lighting of bakery products
- luminaire rotates through 350° and pivots through 40°
- outstanding ease of maintenance
- no UV and thermal emissions
- thermal management with passive cooling (heat sink made from aluminium)
- specular aluminium reflector with precise symmetrical beam characteristic for high luminous efficiency and glare-free lighting
- front rings and recessed ring made from die-cast zinc
- clear safety glass
- tool-free ceiling mounting via quick-action clamping springs (automatic adjustment of the ceiling thickness)
- luminaire and ballast permanently connected via cable (length: 500 mm), ballast ready for mains connection
- ballast (LED converter) included (external placement)

Standard options



Special options



Lighting data / Norms

Lamps	LED Spot Bakery
EPREL light sources	832579
Lifetime	L90 B50 50.000 h L80 B50 100.000 h L80 B20 50.000 h
System power	36.1 W
Luminaire luminous flux	3510 lm
System efficiency	97.22 lm/W
Module efficiency	109.90 lm/W
UGR class	≤19
Beam angle	35°
Supply voltage	220 - 240 V / 50 - 60 Hz
Protection class	II
Type of protection	IP20

Dimensions / Weights

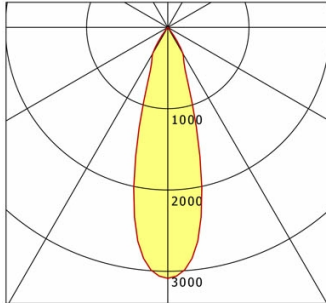
Outer diameter	134 mm
Height	149 mm
Cut-out (Ø)	125 mm
Ceiling thickness	1.0 - 25.0 mm
Recessed depth	160 mm
Net weight	1.29 kg
Gross weight	1.40 kg

CSALP 61.20.35/B

CSALP 61.20.35/B

CSA 60 (1xLED 36W BAKERY 3510lm 35°)

C0/C180 cd / 1000 lm



	C0	C90	C180	C270
0°	3087	3087	3087	3087
15°	1453	1453	1453	1453
30°	371	371	371	371
45°	5	5	5	5
60°	3	3	3	3
75°	2	2	2	2
90°	0	0	0	0
cd / 1000 lm				

Offset [m] Cone width [m] Illuminance [lx]

Offset [m]	Cone width [m]	Illuminance [lx]
3.0	1.55	1203.9
6.0	3.11	301.0
9.0	4.66	133.8
12.0	6.22	75.2
15.0	7.77	48.2

η	LED
Efficiency	98 lm/W
Direct/Indirect	↓ 100% / ↑ 0%
System Power	36 W
UGR	X=4H, Y=8H
Reflection factors	70/50/20
UGR C0/C180	18.6
UGR C90/C270	18.6
CIE Flux Codes	99 99 100 100 100
Ra/CRI	---

LTS

Accessories



ZDAR 125.145-205
compensation ring for ceiling cut-outs from 145 to 205 mm