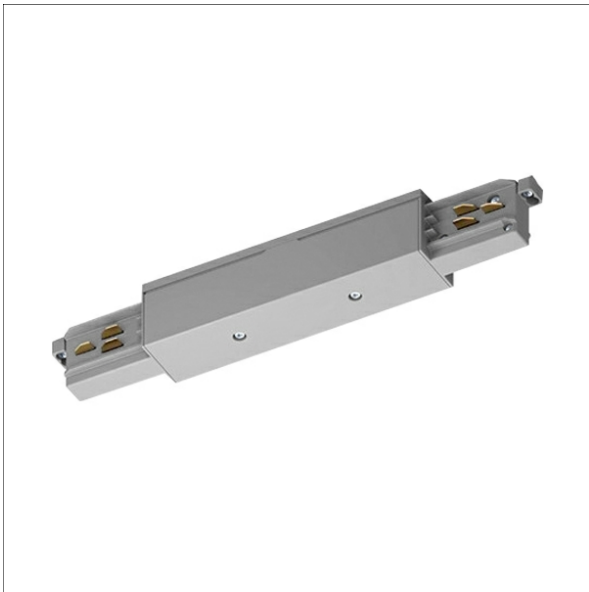


ST-A I/9010



Description

- electric linear connector with feed-in
- material: polycarbonate
- copper alloy contacts
- max. electrical load: AC mains power supply 3.6 kVA, 3-phase network 3 x 3.6 kVA = 10.8 kVA
- rated current and voltage: 16 A / 440 V (1 A / 50 V AC FELV)
- tool-free snap-in fixing
- terminals with screws

Dimensions / Weights

Length	148 mm
Width	32 mm
Height	38 mm
Net weight	0.19 kg
Gross weight	0.20 kg

Colours	Article no.	EAN
black	660274	4043544690944
white	660275	4043544690951
grey	660276	4043544690968

