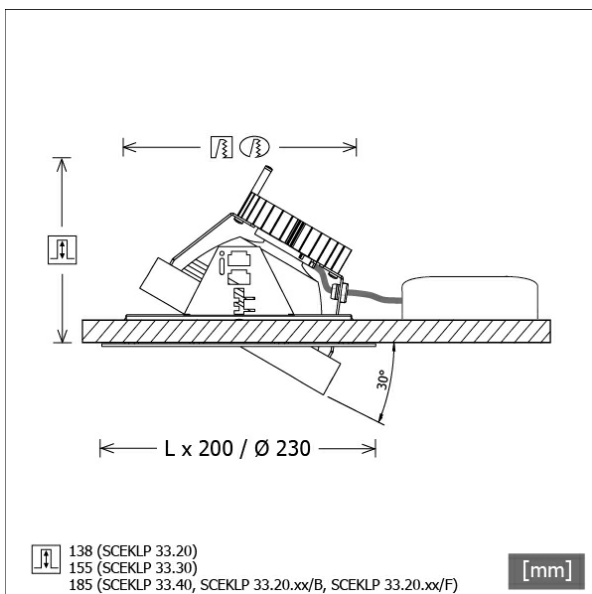


SCEKLP 33.3040.15/DALI



| Colours | Article no. | EAN |
|---------|-------------|---------------|
| black | 643780 | 4043544499868 |
| silver | 643781 | 4043544499875 |
| white | 643782 | 4043544499882 |



Description

- flexible recessed spotlight system consisting of recessed frames, light-heads and ballasts (recessed frames to be ordered separately)
- light-head pivots through 30° on gimbals
- outstanding ease of maintenance
- no UV and thermal emissions
- thermal management with passive cooling (heat sink made from aluminium)
- gimbals made from die-cast zinc
- specular aluminium reflector with precise symmetrical beam characteristic for high luminous efficiency and glare-free lighting
- clear safety glass
- tool-free installation into mounting frame via flexible retaining springs
- connection to ballast via luminaire cable with Mini-Clamp connector
- ballast (LED converter DALI, dimmable) included (external placement)

Standard options



Special options



Lighting data / Norms

| | |
|-------------------------|----------------------------|
| Lamps | LED Spot / CRI 80 / 4000 K |
| EPREL light sources | 851282 |
| Lifetime | L90 B50 50.000 h |
| | L80 B50 100.000 h |
| | L80 B20 50.000 h |
| System power | 32.8 W |
| Luminaire luminous flux | 3490 lm |
| System efficiency | 106.40 lm/W |
| Module efficiency | 162.17 lm/W |
| UGR class | ≤19 |
| Beam range | Spot |
| Beam angle | 16° |
| Supply voltage | 220 - 240 V / 50 - 60 Hz |
| Protection class | III |
| Type of protection | IP20 |

Dimensions / Weights

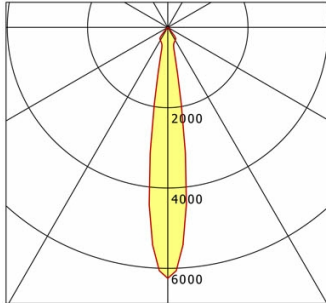
| | |
|------------------------|---------|
| Height | 157 mm |
| Recessed depth | 155 mm |
| Diameter of light head | 155 mm |
| Net weight | 1.23 kg |
| Gross weight | 1.32 kg |

SCEKLP 33.3040.15/DALI

SCEKLP 33.3040.15/DALI

Scene 33 System | Light-Head (1xLED 33W 840/4000K 3490lm 15°)

— C0/C180 cd / 1000 lm



| | C0 | C90 | C180 | C270 |
|--------------|------|------|------|------|
| 0° | 6248 | 6248 | 6248 | 6248 |
| 15° | 627 | 627 | 627 | 627 |
| 30° | 369 | 369 | 369 | 369 |
| 45° | 23 | 23 | 23 | 23 |
| 60° | 1 | 1 | 1 | 1 |
| 75° | 1 | 1 | 1 | 1 |
| 90° | 0 | 0 | 0 | 0 |
| cd / 1000 lm | | | | |

Offset [m] Cone width [m] Illuminance [lx]

| Offset [m] | Cone width [m] | Illuminance [lx] |
|------------|----------------|------------------|
| 3.0 | 0.85 | 2422.9 |
| 6.0 | 1.70 | 605.7 |
| 9.0 | 2.55 | 269.2 |
| 12.0 | 3.39 | 151.4 |
| 15.0 | 4.24 | 96.9 |

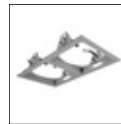
| | |
|--------------------|--------------------|
| η | LED |
| Efficiency | 106 lm/W |
| Direct/Indirect | ↓ 100% / ↑ 0% |
| System Power | 33 W |
| UGR | X=4H, Y=8H |
| Reflection factors | 70/50/20 |
| UGR C0/C180 | 18.4 |
| UGR C90/C270 | 18.4 |
| CIE Flux Codes | 97 100 100 100 100 |
| Ra/CRI | >80 |

LTS

Accessories



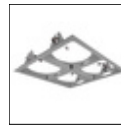
SCER 33.100
mounting frame 1-lamp



SCER 33.200
mounting frame 2-lamp



SCER 33.300
mounting frame 3-lamp



SCER 33.400
mounting frame 4-lamp



ZB-OR DONGLE
Organic Response IR dongle kit



ZB-OR GATEWAY
Organic Response IoT Gateway Cascade Series



ZB-OR-R SENSOR
Organic Response sensor for recessed mounting