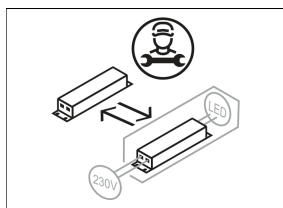
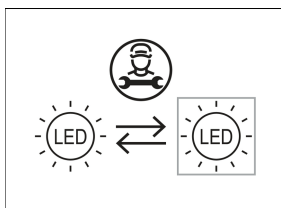
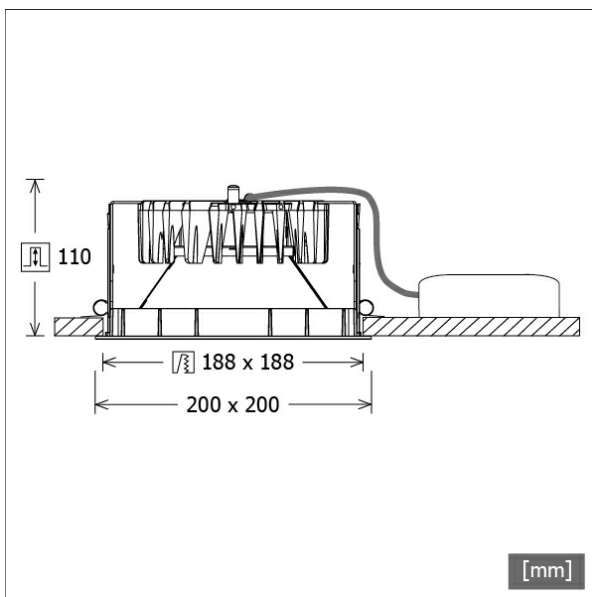


# FLIQ 400.3030.01/DALI



| Colours | Article no. | EAN           |
|---------|-------------|---------------|
| black   | 636489      | 4043544390714 |
| silver  | 636490      | 4043544390721 |
| white   | 636491      | 4043544390738 |



## Description

- recessed spotlight with optical design variants for general lighting
- outstanding ease of maintenance
- no UV and thermal emissions
- innovative thermal management with passive cooling (heat sink made from die-cast aluminium)
- non-reflective matt aluminium reflector for highest luminous efficiency and best glare-free lighting
- front/recessed frame made from die-cast zinc with clear light effect frame (other decor/light effect frames and deco glasses are available as options)
- tool-free ceiling mounting via automatic quick clamping (automatic adjustment of the ceiling thickness)
- luminaire and ballast permanently connected via cable (length: 500 mm), ballast ready for mains connection
- ballast (LED converter DALI, dimmable) included (external placement)

## Standard options



## Special options



## Lighting data / Norms

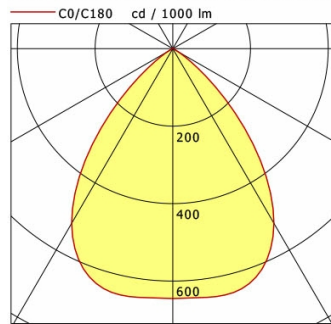
|                         |   |
|-------------------------|---|
| Lamps                   | LED Modul / CRI 80 / 3000 K                               |
| EPREL light sources     | 891012  |
| Lifetime                | L90 B50 50.000 h<br>L80 B50 100.000 h<br>L80 B20 50.000 h |
| System power            | 26.0 W  |
| Luminaire luminous flux | max. 3240 lm  |
| System efficiency       | 124.61 lm/W   |
| Module efficiency       | 167.99 lm/W   |
| UGR class               | ≤25   |
| Supply voltage          | 220 - 240 V / 50 - 60 Hz                                  |
| Protection class        | II  |
| Type of protection      | IP20  |

## Dimensions / Weights

|                   |               |
|-------------------|---------------|
| Length            | 200 mm        |
| Width             | 200 mm        |
| Height            | 112 mm        |
| Cut-out (LxW)     | 188 x 188 mm  |
| Ceiling thickness | 5.0 - 50.0 mm |
| Recessed depth    | 110 mm        |
| Net weight        | 1.25 kg       |
| Gross weight      | 1.32 kg       |

# FLIQ 400.3030.01/DALI

Flixx 400 Square (FLIQZ 400.05, 1xLED 26W 830/3000K 3240lm)



|     | C0  | C90 | C180 | C270 |
|-----|-----|-----|------|------|
| 0°  | 645 | 645 | 645  | 645  |
| 15° | 647 | 647 | 647  | 647  |
| 30° | 521 | 521 | 521  | 521  |
| 45° | 209 | 209 | 209  | 209  |
| 60° | 17  | 17  | 17   | 17   |
| 75° | 4   | 4   | 4    | 4    |
| 90° | 0   | 0   | 0    | 0    |

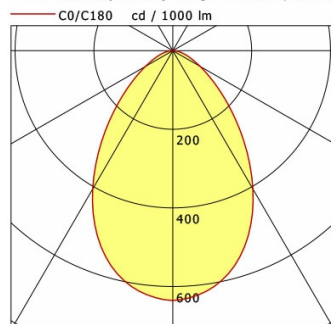
cd / 1000 lm

| Offset [m] | Cone width [m] | Illuminance [lx] |
|------------|----------------|------------------|
| 3.0        | 5.01           | 232.2            |
| 6.0        | 10.01          | 58.1             |
| 9.0        | 15.02          | 25.8             |
| 12.0       | 20.03          | 14.5             |
| 15.0       | 25.03          | 9.3              |

|                    |                   |
|--------------------|-------------------|
| <b>η</b>           | LED               |
| Efficiency         | 125 lm/W          |
| Direct/Indirect    | ↓ 100% / ↑ 0%     |
| System Power       | 26 W              |
| <b>UGR</b>         | X=4H, Y=8H        |
| Reflection factors | 70/50/20          |
| UGR C0/C180        | 20.9              |
| UGR C90/C270       | 20.9              |
| CIE Flux Codes     | 81 99 100 100 100 |
| Ra/CRI             | >80               |

LTS

Flixx 400 Square (FLIQZ 400.24, 1xLED 26W 830/3000K 3100lm)



|     | C0  | C90 | C180 | C270 |
|-----|-----|-----|------|------|
| 0°  | 636 | 636 | 636  | 636  |
| 15° | 577 | 577 | 577  | 577  |
| 30° | 406 | 406 | 406  | 406  |
| 45° | 204 | 204 | 204  | 204  |
| 60° | 80  | 80  | 80   | 80   |
| 75° | 27  | 27  | 27   | 27   |
| 90° | 0   | 0   | 0    | 0    |

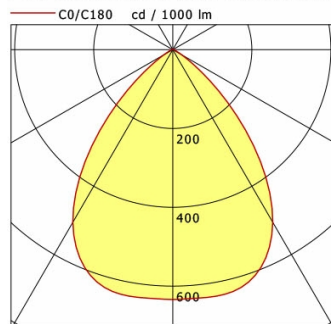
cd / 1000 lm

| Offset [m] | Cone width [m] | Illuminance [lx] |
|------------|----------------|------------------|
| 3.0        | 4.40           | 218.9            |
| 6.0        | 8.80           | 54.7             |
| 9.0        | 13.19          | 24.3             |
| 12.0       | 17.59          | 13.7             |
| 15.0       | 21.99          | 8.8              |

|                    |                  |
|--------------------|------------------|
| <b>η</b>           | LED              |
| Efficiency         | 119 lm/W         |
| Direct/Indirect    | ↓ 100% / ↑ 0%    |
| System Power       | 26 W             |
| <b>UGR</b>         | X=4H, Y=8H       |
| Reflection factors | 70/50/20         |
| UGR C0/C180        | 24.6             |
| UGR C90/C270       | 24.6             |
| CIE Flux Codes     | 67 91 98 100 100 |
| Ra/CRI             | >80              |

LTS

Flixx 400 Square (FLIQZ 400.25, 1xLED 26W 830/3000K 3170lm)



|     | C0  | C90 | C180 | C270 |
|-----|-----|-----|------|------|
| 0°  | 634 | 634 | 634  | 634  |
| 15° | 630 | 630 | 630  | 630  |
| 30° | 506 | 506 | 506  | 506  |
| 45° | 213 | 213 | 213  | 213  |
| 60° | 26  | 26  | 26   | 26   |
| 75° | 5   | 5   | 5    | 5    |
| 90° | 0   | 0   | 0    | 0    |

cd / 1000 lm

| Offset [m] | Cone width [m] | Illuminance [lx] |
|------------|----------------|------------------|
| 3.0        | 5.04           | 223.3            |
| 6.0        | 10.08          | 55.8             |
| 9.0        | 15.12          | 24.8             |
| 12.0       | 20.16          | 14.0             |
| 15.0       | 25.19          | 8.9              |

|                    |                   |
|--------------------|-------------------|
| <b>η</b>           | LED               |
| Efficiency         | 122 lm/W          |
| Direct/Indirect    | ↓ 100% / ↑ 0%     |
| System Power       | 26 W              |
| <b>UGR</b>         | X=4H, Y=8H        |
| Reflection factors | 70/50/20          |
| UGR C0/C180        | 21.1              |
| UGR C90/C270       | 21.1              |
| CIE Flux Codes     | 79 98 100 100 100 |
| Ra/CRI             | >80               |

LTS

# FLIQ 400.3030.01/DALI

## Accessories



**FLIQZ 400.01**  
decorative frame black



**FLIQZ 400.02**  
decorative frame silver



**FLIQZ 400.03**  
decorative frame white



**FLIQZ 400.04**  
light effect frame opal



**FLIQZ 400.05**  
light effect frame clear



**FLIQZ 400.06**  
light effect frame red matt



**FLIQZ 400.07**  
light effect frame yellow matt



**FLIQZ 400.08**  
light effect frame blue matt



**FLIQZ 400.16**  
light effect frame red translucent



**FLIQZ 400.17**  
light effect frame yellow translucent



**FLIQZ 400.18**  
light effect frame blue translucent



**FLIQZ 400.24**  
decorative glass opal



**FLIQZ 400.25**  
decorative glass clear



**NOL 50B/3H/DALI**  
LED emergency light-unit



**ZB-OR DONGLE**  
Organic Response IR dongle kit



**ZB-OR GATEWAY**  
Organic Response IoT Gateway Cascade Series



**ZB-OR-R SENSOR**  
Organic Response sensor for recessed mounting



**ZVP 100**  
universal reinforcement frame  
(module 625 x 625)