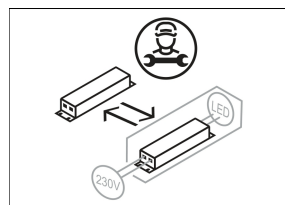
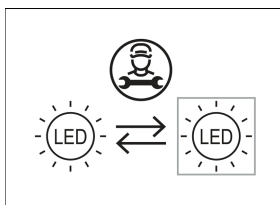
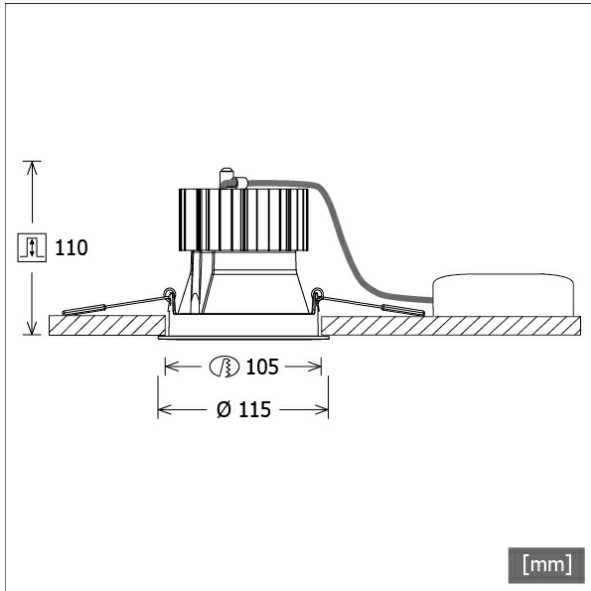


FLIR 200.2030.15/DALI



Colours	Article no.	EAN
black	641747	4043544472939
silver	641748	4043544472946
white	641749	4043544472953



Description

- recessed spotlight with optical design variants and wide range of applications
- light-head pivots through 20°
- outstanding ease of maintenance
- no UV and thermal emissions
- thermal management with passive cooling (heat sink made from aluminium)
- high performance specular aluminium reflector with precise symmetrical beam characteristic for highest luminous efficiency and best glare-free lighting
- front/recessed ring made from die-cast zinc with clear light effect ring (other decor/light effect rings and deco glasses are available as options)
- tool-free ceiling mounting via quick-action clamping springs (automatic adjustment of the ceiling thickness)
- luminaire and ballast permanently connected via cable (length: 500 mm), ballast ready for mains connection
- ballast (LED converter DALI, dimmable) included (external placement)

Standard options



Special options



Lighting data / Norms

Lamps	LED Spot / CRI 80 / 3000 K
EPREL light sources	848117
Lifetime	L90 B50 50.000 h
	L80 B50 100.000 h
	L80 B20 50.000 h
System power	27.0 W
Luminaire luminous flux	max. 2970 lm
System efficiency	103.70 lm/W
Module efficiency	156.64 lm/W
UGR class	≤28
Beam range	Spot
Beam angle	19°
Supply voltage	220 - 240 V / 50 - 60 Hz
Protection class	II
Type of protection	IP20

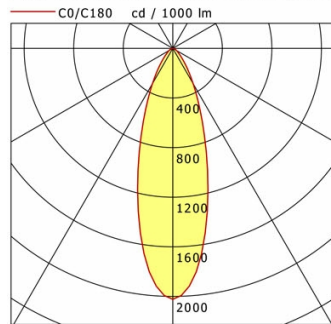
Dimensions / Weights

Outer diameter	115 mm
Height	112 mm
Cut-out (Ø)	105 mm
Ceiling thickness	1.0 - 25.0 mm
Recessed depth	110 mm
Net weight	0.93 kg
Gross weight	1.01 kg

FLIR 200.2030.15/DALI

FLIR 200.2030.15/DALI

Flixx 200 Round (FLIRZ 200.24, 1xLED 27W 830/3000K 2800lm 19°)



	C0	C90	C180	C270
0°	2024	2024	2024	2024
15°	1095	1095	1095	1095
30°	329	329	329	329
45°	93	93	93	93
60°	35	35	35	35
75°	15	15	15	15
90°	0	0	0	0
cd / 1000 lm				

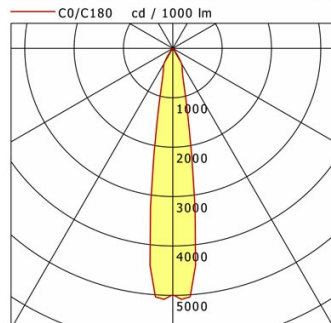
Offset [m]	Cone width [m]	Illuminance [lx]
3.0	1.73	629.5
6.0	3.47	157.4
9.0	5.20	69.9
12.0	6.94	39.3
15.0	8.67	25.2

η	LED
Efficiency	104 lm/W
Direct/Indirect	↓ 100% / ↑ 0%
System Power	27 W
UGR	X=4H, Y=8H
Reflection factors	70/50/20
UGR C0/C180	25.7
UGR C90/C270	25.7
CIE Flux Codes	85 95 99 100 100
Ra/CRI	>80

LTS

FLIR 200.2030.15/DALI

Flixx 200 Round (FLIRZ 200.05, 1xLED 27W 830/3000K 2970lm 19°)



	C0	C90	C180	C270
0°	4987	4987	4987	4987
15°	989	989	989	989
30°	349	349	349	349
45°	15	15	15	15
60°	9	9	9	9
75°	4	4	4	4
90°	0	0	0	0
cd / 1000 lm				

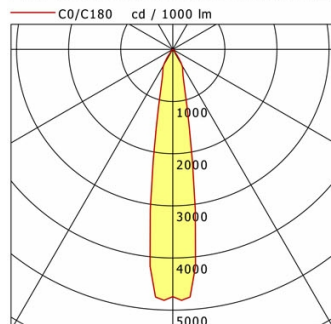
Offset [m]	Cone width [m]	Illuminance [lx]
3.0	0.99	1645.7
6.0	1.98	411.4
9.0	2.97	182.9
12.0	3.97	102.9
15.0	4.96	65.8

η	LED
Efficiency	110 lm/W
Direct/Indirect	↓ 100% / ↑ 0%
System Power	27 W
UGR	X=4H, Y=8H
Reflection factors	70/50/20
UGR C0/C180	19.1
UGR C90/C270	19.1
CIE Flux Codes	97 99 100 100 100
Ra/CRI	>80

LTS

FLIR 200.2030.15/DALI

Flixx 200 Round (FLIRZ 200.25, 1xLED 27W 830/3000K 2890lm 19°)



	C0	C90	C180	C270
0°	4741	4741	4741	4741
15°	983	983	983	983
30°	354	354	354	354
45°	18	18	18	18
60°	20	20	20	20
75°	5	5	5	5
90°	0	0	0	0
cd / 1000 lm				

Offset [m]	Cone width [m]	Illuminance [lx]
3.0	1.00	1522.5
6.0	2.01	380.6
9.0	3.01	169.2
12.0	4.02	95.2
15.0	5.02	60.9

η	LED
Efficiency	107 lm/W
Direct/Indirect	↓ 100% / ↑ 0%
System Power	27 W
UGR	X=4H, Y=8H
Reflection factors	70/50/20
UGR C0/C180	20.0
UGR C90/C270	20.0
CIE Flux Codes	96 98 100 100 100
Ra/CRI	>80

LTS

FLIRZ 200.2030.15/DALI

Accessories



FLIRZ 200.01
decorative ring black



FLIRZ 200.02
decorative ring silver



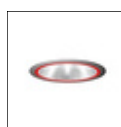
FLIRZ 200.03
decorative ring white



FLIRZ 200.04
light effect ring opal



FLIRZ 200.05
light effect ring clear



FLIRZ 200.06
light effect ring red matt



FLIRZ 200.07
light effect ring yellow matt



FLIRZ 200.08
light effect ring blue matt



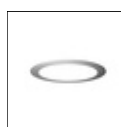
FLIRZ 200.16
light effect ring red translucent



FLIRZ 200.17
light effect ring yellow translucent



FLIRZ 200.18
light effect ring blue translucent



FLIRZ 200.24
decorative glass opal



FLIRZ 200.25
decorative glass clear



ZB-OR DONGLE
Organic Response IR dongle kit



ZB-OR GATEWAY
Organic Response IoT Gateway Cascade Series



ZB-OR-R SENSOR
Organic Response sensor for recessed mounting