

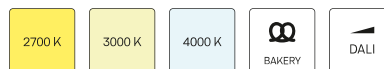
CSALP 62.20.35/F



Description

- recessed spotlight for special lighting of meat and sausage products
- luminaire rotates through 350° and pivots through 40°
- outstanding ease of maintenance
- no UV and thermal emissions
- thermal management with passive cooling (heat sink made from aluminium)
- specular aluminium reflector with precise symmetrical beam characteristic for high luminous efficiency and glare-free lighting
- front rings and recessed ring made from die-cast zinc
- clear safety glass
- tool-free ceiling mounting via quick-action clamping springs (automatic adjustment of the ceiling thickness)
- connection to ballast via luminaire cable with Mini-Clamp connector
- ballast (LED converter) included (external placement)

Standard options



Colours	Article no.	EAN
silver	641416	4043544436276
white	641417	4043544436283
black	641415	4043544436481

Special options

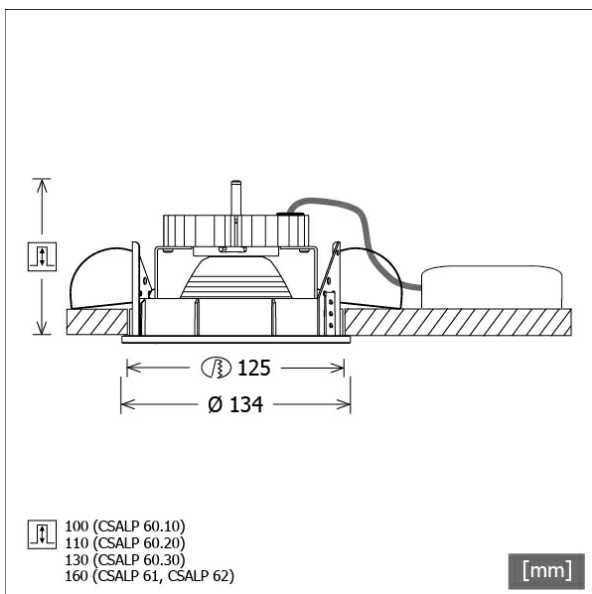


Lighting data / Norms

Lamps	LED Spot Meat
Lifetime	L90 B50 50.000 h L80 B50 100.000 h L80 B20 50.000 h
System power	40.4 W
Luminaire luminous flux	2120 lm
System efficiency	52.47 lm/W
Module efficiency	76.00 lm/W
UGR class	≤19
Beam angle	35°
Supply voltage	220 - 240 V / 50 - 60 Hz
Protection class	III
Type of protection	IP20

Dimensions / Weights

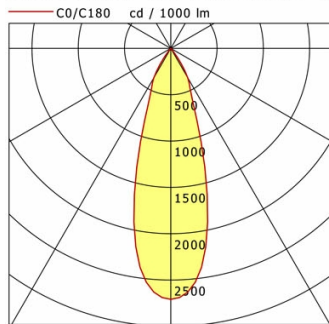
Outer diameter	134 mm
Height	149 mm
Cut-out (Ø)	125 mm
Ceiling thickness	1.0 - 25.0 mm
Recessed depth	160 mm
Net weight	1.31 kg
Gross weight	1.37 kg



CSALP 62.20.35/F

CSALP 62.20.35/F

CSA 60 (1xLED 40W MEAT 2120lm 35°)



	C0	C90	C180	C270
0°	2708	2708	2708	2708
15°	1479	1479	1479	1479
30°	366	366	366	366
45°	7	7	7	7
60°	3	3	3	3
75°	2	2	2	2
90°	0	0	0	0
cd / 1000 lm				

Offset [m]	Cone width [m]	Illuminance [lx]
3.0	1.71	637.9
6.0	3.41	159.5
9.0	5.12	70.9
12.0	6.83	39.9
15.0	8.53	25.5

η	LED
Efficiency	53 lm/W
Direct/Indirect	↓ 100% / ↑ 0%
System Power	40 W
UGR	X=4H, Y=8H
Reflection factors	70/50/20
UGR C0/C180	16.9
UGR C90/C270	16.9
CIE Flux Codes	99 99 100 100 100
Ra/CRI	---

LTS

Accessories



ZDAR 125.145-205
compensation ring for ceiling cut-outs from 145 to 205 mm