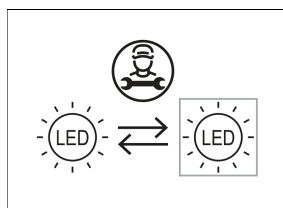
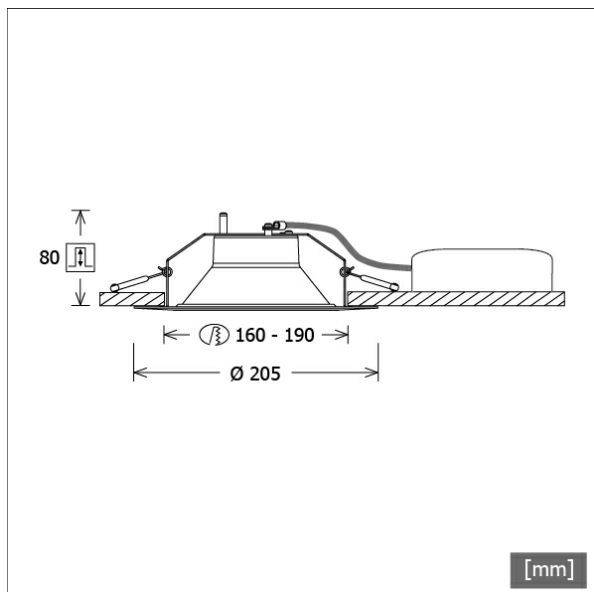


# LFLEXS 202.830/DALI



Colours	Article no.	EAN
white	669505	4043544811776



## Description

- environmentally friendly and cost-efficient round refurbishment downlight for diverse lighting tasks
- luminaire with halogen-free wiring
- outstanding ease of maintenance
- no UV and thermal emissions
- innovative thermal management via reflector (no heat sink required)
- high-tech reflector lens made from PMMA for high luminous efficiency and glare-free lighting
- white powder-coated high performance aluminium reflector with precise symmetrical beam characteristic
- recessed ring made from white powder-coated sheet steel
- tool-free ceiling mounting via quick-action clamping springs (automatic adjustment of the ceiling thickness)
- luminaire and ballast permanently connected via cable (length: 500 mm), ballast ready for mains connection
- ballast (LED converter DALI, dimmable) included (external placement)

## Standard options



## Special options



## Lighting data / Norms

Lamps	LED Spot / CRI 80 / 3000 K
EPREL light sources	848117
	L90 B50 50.000 h
	L80 B50 100.000 h
	L80 B20 50.000 h
Lifetime	
System power	19.3 W
Luminaire luminous flux	2450 lm
System efficiency	126.94 lm/W
Module efficiency	156.64 lm/W
UGR class	≤19
Beam angle	65°
Supply voltage	220 - 240 V / 50 - 60 Hz
Protection class	II
Type of protection	IP20

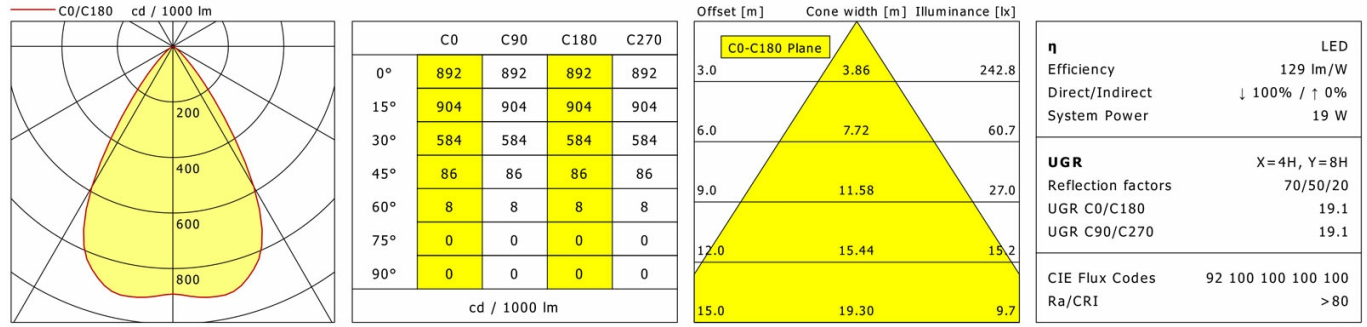
## Dimensions / Weights

Outer diameter	205 mm
Height	82 mm
Cut-out (Ø)	160 - 190 mm
Ceiling thickness	10.0 - 26.0 mm
Recessed depth	80 mm
Net weight	0.51 kg
Gross weight	0.62 kg

# LFLEXS 202.830/DALI

## LFLEXS 202.830/DALI

Lewy Flex Small (1xLED 19W 830/3000K 2450lm 65°)



LTS

### Accessories



**ZB-OR DONGLE**  
Organic Response IR dongle kit



**ZB-OR GATEWAY**  
Organic Response IoT Gateway Cascade Series



**ZB-OR-A SENSOR**  
Organic Response sensor for surface mounting



**ZB-OR-R SENSOR**  
Organic Response sensor for recessed mounting