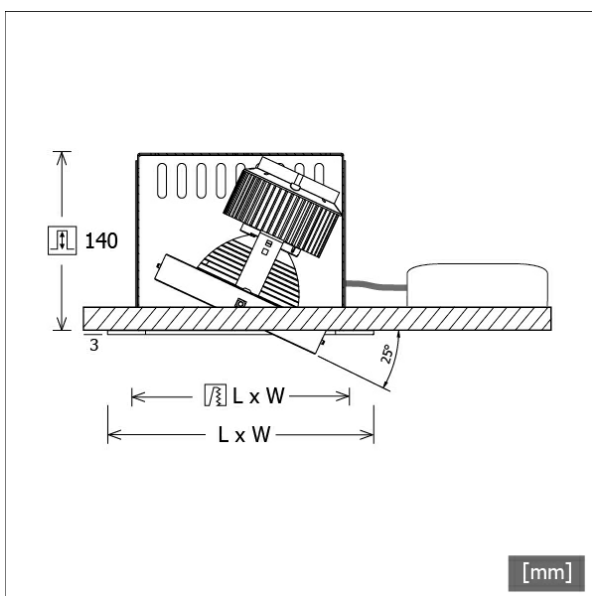


# SCEKLP 20.3040.25/DALI



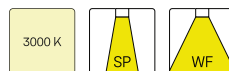
Colours	Article no.	EAN
black	643999	4043544502261
silver	644000	4043544502278
white	644001	4043544502285



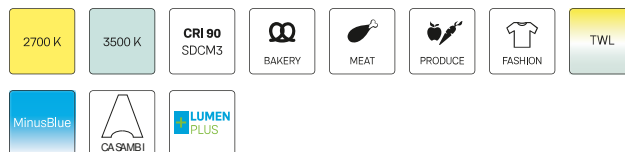
## Description

- flexible recessed spotlight system consisting of recessed housings, light-heads and ballasts (recessed housings to be ordered separately)
- light-head pivots through 25° with gimbals
- outstanding ease of maintenance
- no UV and thermal emissions
- light-head gimbals made from die-cast zinc
- thermal management with passive cooling (heat sink made from aluminium)
- specular aluminium reflector with precise symmetrical beam characteristic for high luminous efficiency and glare-free lighting
- clear safety glass
- assembly into the recessed housing takes place in the factory
- connection to ballast via luminaire cable with Mini-Clamp connector
- ballast (LED converter DALI, dimmable) included (external placement)

## Standard options



## Special options



## Lighting data / Norms

Lamps	LED Spot / CRI 80 / 4000 K
EPREL light sources	851282
Lifetime	L90 B50 50.000 h
	L80 B50 100.000 h
	L80 B20 50.000 h
System power	32.8 W
Luminaire luminous flux	3760 lm
System efficiency	114.63 lm/W
Module efficiency	162.17 lm/W
UGR class	≤22
Beam range	Medium Flood
Beam angle	27°
Supply voltage	220 - 240 V / 50 - 60 Hz
Protection class	III
Type of protection	IP20

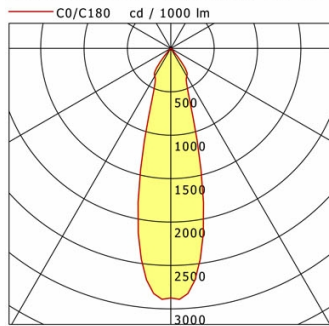
## Dimensions / Weights

Height	143 mm
Recessed depth	122 mm
Diameter of light head	140 mm
Net weight	1.03 kg
Gross weight	1.08 kg

# SCEKLP 20.3040.25/DALI

## SCEKLP 20.3040.25/DALI

Scene 2 System | Light-Head (1xLED 33W 840/4000K 3760lm)



	C0	C90	C180	C270
0°	2875	2875	2875	2875
15°	1264	1264	1264	1264
30°	369	369	369	369
45°	19	19	19	19
60°	3	3	3	3
75°	0	0	0	0
90°	0	0	0	0

cd / 1000 lm

Offset [m]	Cone width [m]	Illuminance [lx]
3.0	1.50	1201.0
6.0	3.00	300.2
9.0	4.50	133.4
12.0	6.00	75.1
15.0	7.50	48.0

C0-C180 Plane

<b>η</b>	LED
Efficiency	114 lm/W
Direct/Indirect	↓ 100% / ↑ 0%
System Power	33 W
<b>UGR</b>	X=4H, Y=8H
Reflection factors	70/50/20
UGR C0/C180	20.3
UGR C90/C270	20.3
CIE Flux Codes	98 100 100 100 100
Ra/CRI	>80

LTS

## Accessories



**SCER 2.1140**  
recessed housing 1-lamp



**SCER 2.2140**  
recessed housing 2-lamp



**SCER 2.3140**  
recessed housing 3-lamp



**SCER 2.4140**  
recessed housing 4-lamp



**ZB-OR DONGLE**  
Organic Response IR dongle kit



**ZB-OR GATEWAY**  
Organic Response IoT Gateway Cascade Series



**ZB-OR-R SENSOR**  
Organic Response sensor for recessed mounting