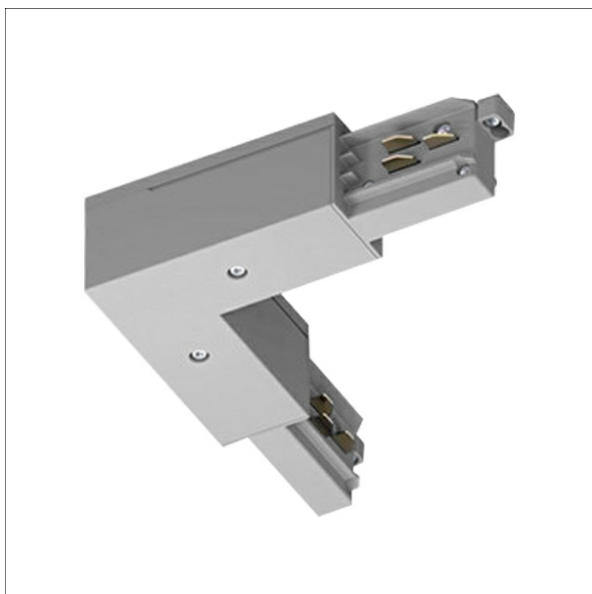


# ST-A L/PE-OUT/9012



## Description

- L-connector with polarity outside and feed-in
- material: polycarbonate
- copper alloy contacts
- max. electrical load: AC mains power supply 3.6 kVA, 3-phase network 3 x 3.6 kVA = 10.8 kVA
- rated current and voltage: 16 A / 440 V (1 A / 50 V AC FELV)
- tool-free snap-in fixing
- terminals with screws

## Dimensions / Weights

<b>Length</b>	90 mm
<b>Width</b>	32 mm
<b>Height</b>	38 mm
<b>Net weight</b>	0.19 kg
<b>Gross weight</b>	0.22 kg

Colours	Article no.	EAN
black	660280	4043544691002
white	660281	4043544691019
grey	660282	4043544691026

