

# CSA-R 402.940.MF/DALI



## Description

- recessed downlight with wide range of applications
- outstanding ease of maintenance
- no UV and thermal emissions
- innovative thermal management with passive cooling (heat sink made from die-cast aluminium)
- specular aluminium reflector with precise symmetrical beam characteristic for high luminous efficiency and glare-free lighting
- front ring made from die-cast aluminium with filigree black polycarbonate inner ring for additional glare control
- tool-free ceiling mounting via quick-action clamping springs (automatic adjustment of the ceiling thickness)
- luminaire and ballast permanently connected via cable (length: 500 mm), ballast ready for mains connection
- ballast (LED converter DALI, dimmable) included (external placement)

## Notes

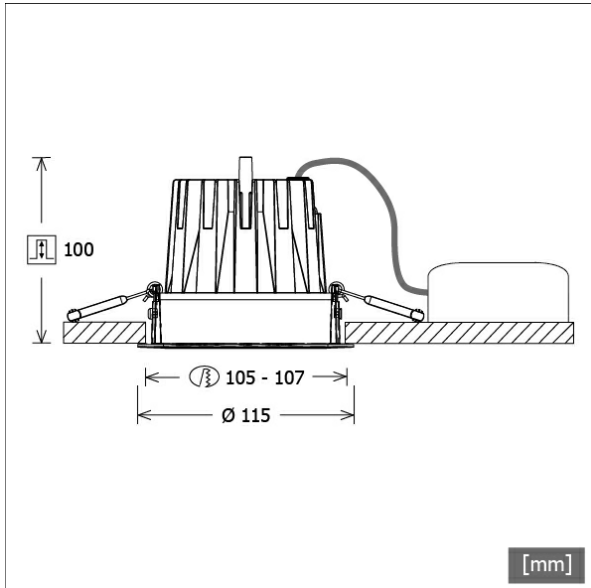
Also available with lower system power / lumen output on request.

Colours	Article no.	EAN
silver	668132	4043544797919
black	668133	4043544797926
white	668134	4043544797933

## Standard options



## Special options



## Lighting data / Norms

Lamps	LED Spot / CRI 90 / 4000 K
Lifetime	L90 B50 50.000 h L80 B50 100.000 h L80 B20 50.000 h
System power	19.7 W
Luminaire luminous flux	2660 lm
System efficiency	135.02 lm/W
Module efficiency	140.00 lm/W
UGR class	≤19
Beam range	Medium Flood
Beam angle	23°
Supply voltage	220 - 240 V / 50 - 60 Hz
Protection class	II
Type of protection	IP20

## Dimensions / Weights

Outer diameter	115 mm
Height	102 mm
Cut-out (Ø)	105 - 107 mm
Ceiling thickness	3.0 - 26.0 mm
Recessed depth	100 mm
Net weight	0.48 kg
Gross weight	0.54 kg

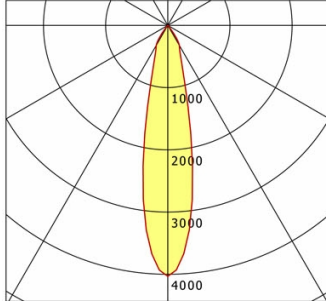


# CSA-R 402.940.MF/DALI

## CSA-R 402.940.MF/DALI

CSA 40 Generation 2 (1xLED 20W 940/4000K 2660lm 23°)

C0/C180 cd / 1000 lm



	C0	C90	C180	C270
0°	4033	4033	4033	4033
15°	1167	1167	1167	1167
30°	371	371	371	371
45°	13	13	13	13
60°	5	5	5	5
75°	1	1	1	1
90°	0	0	0	0
cd / 1000 lm				

Offset [m] Cone width [m] Illuminance [lx]

Offset [m]	Cone width [m]	Illuminance [lx]
3.0	1.18	1191.9
6.0	2.35	298.0
9.0	3.53	132.4
12.0	4.71	74.5
15.0	5.89	47.7

<b>η</b>	LED
Efficiency	133 lm/W
Direct/Indirect	↓ 100% / ↑ 0%
System Power	20 W
<b>UGR</b>	X=4H, Y=8H
Reflection factors	70/50/20
UGR C0/C180	18.7
UGR C90/C270	18.7
CIE Flux Codes	98 100 100 100 100
Ra/CRI	>90

LTS

## Accessories



**ZB-OR DONGLE**  
Organic Response IR dongle kit



**ZB-OR GATEWAY**  
Organic Response IoT Gateway Cascade Series



**ZB-OR-R SENSOR**  
Organic Response sensor for recessed mounting