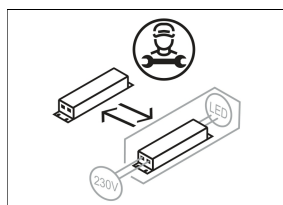
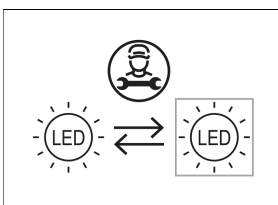
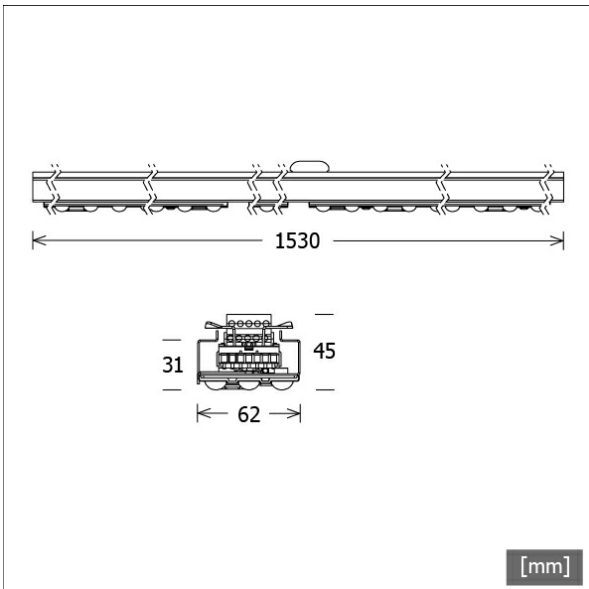


# ALA-L 005.840.1530/DALI



Colours	Article no.	EAN
	667508	4043544768056



## Description

- light-insert made from sheet steel with integrated LED modules
- no UV and thermal emissions
- almost all strip light lengths can be realised
- diffuser made from clear polished PMMA
- tool-free fastening into mounting track via turning bolts
- pre-fabricated for 7-pole through-wiring
- ballast (LED converter DALI, dimmable) integrated

## Notes

The ALA-L light-inserts can also be used or modified for other support/rail systems for the purpose of refurbishment or renovation. To do this, please send an enquiry to LTS and state the exact designation of the support/rail system.

## Lighting data / Norms

Lamps	LED Modul / CRI 80 / 4000 K
Lifetime	L90 B50 50.000 h L80 B50 100.000 h L80 B20 50.000 h
System power	31.1 W
Luminaire luminous flux	5260 lm
System efficiency	169.13 lm/W
Module efficiency	193.50 lm/W
UGR class	≤22
Supply voltage	220 - 240 V / 50 - 60 Hz
Protection class	I
Type of protection	IP20

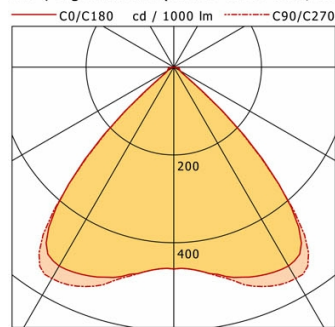
## Dimensions / Weights

Length	1530 mm
Width	62 mm
Height	45 mm
Net weight	3.06 kg
Gross weight	3.22 kg

# ALA-L 005.840.1530/DALI

## ALA-L 005.840.1530/DALI

Ala | Light-Insert (1xLED 31W 840/4000K 5260lm)



	C0	C90	C180	C270
0°	460	460	460	460
15°	495	501	495	501
30°	523	556	523	556
45°	258	251	258	251
60°	16	18	16	18
75°	10	12	10	12
90°	2	0	2	0
cd / 1000 lm				

Offset [m]	Cone width [m]		Illuminance [lx]
3.0	C0-C180 Plane 5.77	C90-C270 Plane 5.74	268.8
6.0	11.55	11.48	67.2
9.0	17.32	17.22	29.9
12.0	23.10	22.96	16.8
15.0	28.87	28.70	10.8

<b>η</b>	LED
Efficiency	170 lm/W
Direct/Indirect	↓ 100% / ↑ 0%
System Power	31 W
<b>UGR</b>	X=4H, Y=8H
Reflection factors	70/50/20
UGR C0/C180	19.2
UGR C90/C270	19.6
CIE Flux Codes	79 97 99 100 100
Ra/CRI	>80

LTS

## Accessories



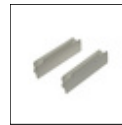
**ALA-T 3065**  
Ala mounting track  
(length: 3065 mm)



**ALA-T 4595**  
Ala mounting track  
(length: 4595 mm)



**ALA-Z001**  
end covers (2 pieces) for mounting tracks ALA-T



**ALA-Z004**  
end covers (2 pieces) for light-inserts ALA-L



**ALA-Z100**  
connection kit with earthing



**ALA-Z102.00**  
linear connector



**ALA-Z103**  
wire-rope kit 1-fold  
(length: 3000 mm)



**ALA-Z104**  
ceiling mounting bracket  
(1 piece)



**ALA-Z107**  
track suspension



**ALA-Z115/1530**  
connecting cable for Ala row installation  
(length: 1530 mm, 5-core)



**ALA-Z115/1530/DALI**  
connecting cable for Ala row installation  
(length: 1530 mm, DALI, 7-core)



**ALA-ZBA/1530**  
blind cover  
(length: 1500 mm)

# ALA-L 005.840.1530/DALI

## Accessories



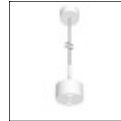
**ZB-OR DONGLE**  
Organic Response IR dongle kit



**ZB-OR GATEWAY**  
Organic Response IoT Gateway Cascade Series



**ZB-OR-A SENSOR**  
Organic Response sensor for surface mounting



**ZB-OR-P SENSOR/3000**  
Organic Response sensor for pendant mounting